

Type B



Full range of Type B
earth leakage protection
and monitoring devices

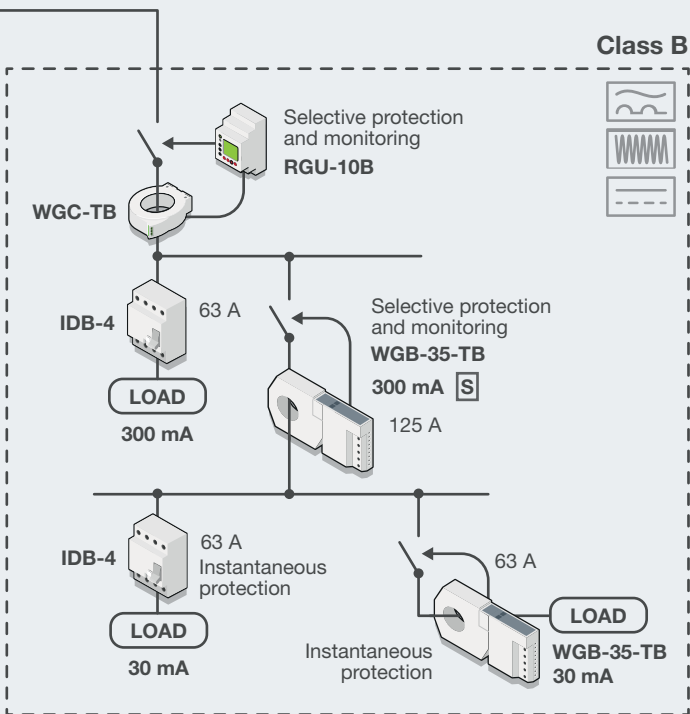
**Full protection and monitoring
within your reach**



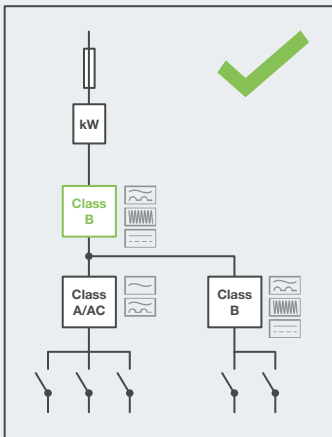
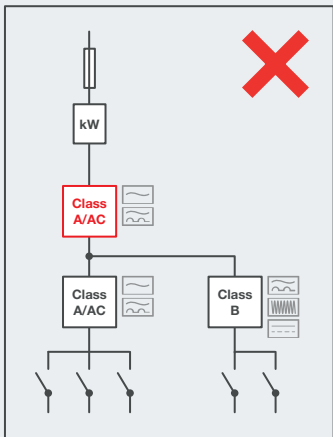
CIRCUITOR

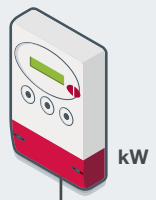
Technology for energy efficiency

Devices used in Type B installations



Correct installation of units with Type B protection.





Class A/AC



Why install Type B solutions?

Installing Type B earth leakage protection units ensures the safety of individuals and correct functioning for alternating current (AC), direct current (DC) or mixed current (AC/DC) intensities up to frequencies of 1 kHz.

Type A and AC earth leakage protection units do not detect smooth residual direct currents. Moreover, Type A units become more sensitive when a pulsating earth leakage current is accompanied by an smooth direct current. In these cases, protection is not as effective and compromises the expected safety levels.

Full range for total protection

All protection elements installed upstream must have the same or higher rating than those installed downstream, never lower, in order to guarantee the correct operation of the selective classification process. Therefore, if Type B is the maximum protection level of an element, a Type A or AC unit cannot be installed downstream.

CIRCUTOR's range of Type B earth leakage protection units covers all the protection levels in your installation.

RGU-10B

Electronic earth leakage current protection and monitoring relay

WGC-TB

Type B protection transformers.



Universal earth leakage current protection (type B)



Universal earth leakage current monitoring (type B)



Preventive control



Easy leakage diagnostics

Technical features

Protection and monitoring	Type	B (IEC 60755)
	Sensitivity, $I_{\Delta n}$	0.1 A ... 3 A (according to WGC-TB)
	Delay, t_{Δ}	0.1 s ... 10 s
	Earth leakage transformer	External, WGC TB series
	Test and Reset	Using buttons T and R
	Remote control	Remote Test and Reset ready
	Control of the display/control element	With 2 switched output relays, NO/NC
Electrical features	Auxiliary power supply	230 Vac \pm 20% 50/60 Hz, 6 VA
	Output contacts	250 Vac, 6 A
	Operating temperature	-10...+50 °C
Mechanical features	Attachment	DIN Rail 46277 (EN 50022)
	Dimensions	3 modules
	Weight	256 g
	Protection degree	Terminals - IP 20, Trans-cabinet - IP41
	Standards	IEC 62020, IEC 60755, IEC 60947-2 annex M

IDB-4

Type B RCCB,
instantaneous 30 mA
and 300 mA



Universal earth leakage current
protection (type B)

- 30 mA – Protection for individuals
- 300 mA – Against fire hazards



RCCB

Technical features

Earth leakage protection	Type	B (IEC 60755, IEC 62423)
	Sensitivity, $I_{\Delta n}$	30 / 300 mA
	Gauge, I_n	40/63 A
	Trip delay, t_{Δ}	INSTantaneous or General
Electrical features	Operating voltage	230 / 400 Vac 50/60 Hz
	Assigned earth leakage protection cut off $I_{\Delta m}$	10 kA
	Assigned earth leakage protection cut off I_m	800 A
	Attachment	DIN Rail 46277 (EN 50022)
Mechanical features	Dimensions	4 modules (70 mm)
	Weight	425 g
	Protection degree	Terminals - IP 20, Trans-cabinet - IP 41
	Terminal dimensions	1-2.5 mm ²
Standards	IEC 61008, IEC 62423, IEC 61008.1.2	

WGB-35-TB

Transformer with
built-in Type B
earth leakage relay



Universal earth leakage current
protection (type B)

- 30 mA – Protection for individuals
- 300 mA – Against fire hazards



Earth leakage relay



Positive safety

Technical features

Earth leakage protection	Type	B (IEC 60755, IEC 62423)
	Sensitivity $I_{\Delta N}$	30 or 300 mA
	Gauge I_n	up to 125 A
	Trip delay t_{Δ}	INSTantaneous (30 mA) or SElective (IEC 61008-1)
	Sensor	Built in earth leakage trans- former, 35 mm
	Circuit breaker to be asso- ciated	Contactors or circuit breaker with trigger coil
Control of the circuit breaker	Positive safety	
Electrical features	Operating voltage	230 Vac, 50/60 Hz
	Output contacts	250 Vac, 5 A, AC1
Mechanical features	Attachment	DIN Rail 46277 (EN 50022)
	Weight	380 g
	Protection degree	Terminals - IP 20, Trans-cabinet - IP 40
	Terminal dimensions	1-1.5 mm ²
Standards	IEC 60755, IEC 62423, IEC 60947-2 annex M	

UNIVERSAL

Earth leakage

protection and

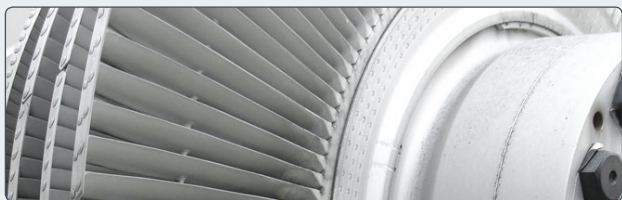
monitoring

Application

For protection and monitoring of:



Computer units (UPS)



Speed drives



Photovoltaic installations

References

RGU-10B

Type	Code	Sensitivity, $I_{\Delta n}$	Delay, t_{Δ}
RGU-10B	P11951	0.1 ... 3 A	0.1 ... 10 s

WGC-TB. Transformers associated with RGU-10B

Type	Code	Useful section	$I_{\Delta n}$ minimum	Weight (g)
WGS-20-TB	P11731	Ø 20 mm	0,1	80
WGC-25-TB	P11751	Ø 25 mm	0,1	86
WGC-35-TB	P11752	Ø 35 mm	0,1	126
WGC-55-TB	P11753	Ø 55 mm	0,3	180
WGC-80-TB	P11755	Ø 80 mm	0,5	321
WGC-110-TB	P11756	Ø 110 mm	0,5	440
WGC-140-TB	P11757	Ø 140 mm	0,5	790
WGC-180-TB	P11758	Ø 180 mm	0,5	1530

IDB-4

Type	Code	Sensitivity, $I_{\Delta n}$	I_n
IDB-4 4P-40A-30mA	P17221	30 mA	40 A
IDB-4 4P-40A-300mA	P17222	300 mA	40 A
IDB-4 4P-63A-30mA	P17231	30 mA	63 A
IDB-4 4P-63A-300mA	P17232	300 mA	63 A

WGB-35-TB

Type	Code	Sensitivity, $I_{\Delta n}$	Delay
WGB-35-TB 030	P16111	30 mA	INS
WGB-35-TB 300	P16121	300 mA	INS
WGB-35-TB 300S	P16131	300 mA	SEL

www.circuitor.com

CIRCUTOR, SA - Vial Sant Jordi, s/n
08232 Viladecavalls (Barcelona) Spain
Tel. (+34) 93 745 29 00 - Fax: (+34) 93 745 29 14
central@circuitor.com



@circuitor



youtube.com/circuitoroficial



[circuitor](https://in.circuitor.com)

