



GIOVENZANA

INTERNATIONAL B.V.



FOOT SWITCHES
SINGLE & DOUBLE



Single or double foot switches thermoplastic type with the EN ISO 13850 emergency stop option.
Available with electric or pneumatic controls.

SAFETY FOOT SWITCHES

Application

Safety foot switches are mounted on machines and plants as enabling switches in cases where operation using the hands is not possible and an emergency-stop function in case of a hazardous situation is required.

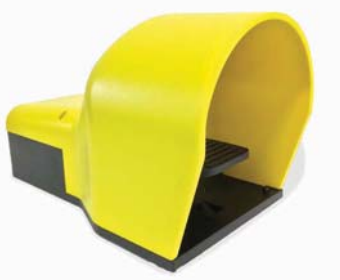
Design and mode of operation

All safety foot switches are mounted with a shield to protect against unintentional actuation. When the foot pedal is actuated to as far as pressure point, the NO contact is closed. If, in case of danger, the pedal is actuated beyond the pressure point, then the positive break NC contact is opened and mechanically locked. Reset operation is carried out by means of a push button. During the reset operation, the switch does not move through the switching-on point.

The safety foot switches conform to protection class IP 65. All safety foot switches bear the CE mark according to the Machinery Directive.



PRODUCT



DESCRIPTION

Foot switch
with trigger mechanism requiring positive action to allow pedal operation.

Colour:
■ PANTONE 102C

CONTACTS

Slow break

CODE

MIN. PACK

Quantity

WEIGHT

gr.

1NO	IP7007	1	1.400
2NO	IP7008	1	1.400
1NO+1NC	IP7007I	1	1.400
1NO	IP7009	1	1.400
Two speeds 1NO+1NO	IP7015	1	1.400

This product is also available in different colors:

Colour:
■ RAL 7035




Colour:
■ RAL 5010



FOOT SWITCHES SERIES

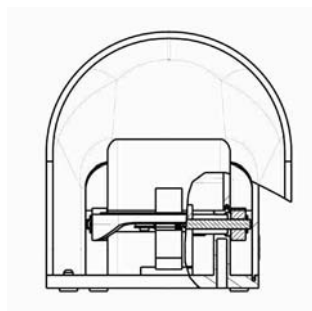
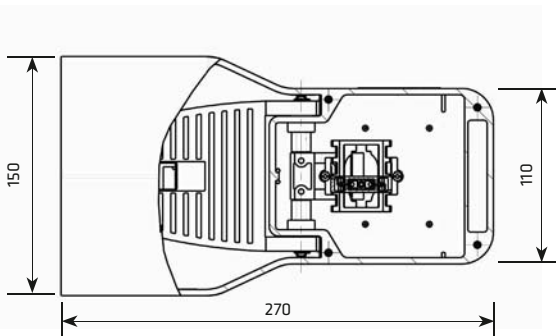
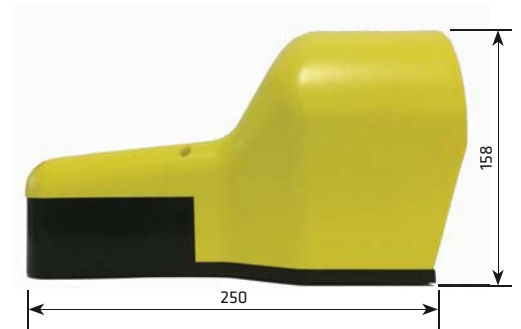
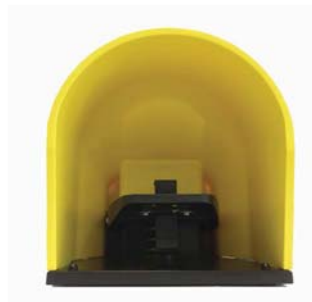
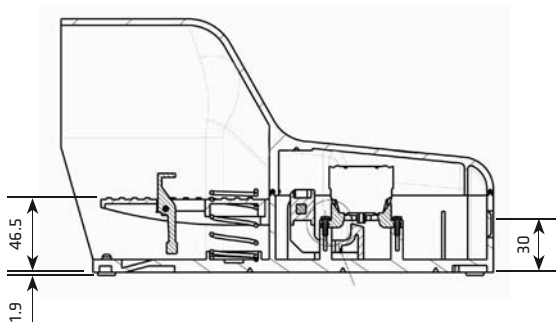
IP65 

GENERAL CHARACTERISTICS

Comply with		IEC/EN60947-5-1							
Rated insulation voltage U_i	V	690 (pollution class 3)							
Rated impulse withstand voltage U_{imp}	kV	4							
Operating frequency	Hz	50/60							
Rated thermal current I_{th}	A	10							
Rated operating current I_e :									
AC-15 alternate current	V	24	60	120	240	400	440	500	690
	A	16	12	8	6	4,5	3,5	1	1
DC-13 continuous current	V	24	48	60	110	220			
	A	2	1,2	0,85	0,4	0,25			
Conditional short circuit withstand		1000A - 10A-500V class gG fuses							
Contact impedance	m Ω	≤ 25							
Contact type		Slow break double gap contacts							
Positive opening		NC contact with positive opening 							
Electric shock protection	IEC 536	Class II							
Protection rating	IEC 529	IP65							
Ambient temperature	°C	Operating -25 +70							
	°C	Storage -30 +70							
Cable entry		pre-broken hole 16,5 - M20 (with safety)							



DIMENSIONAL DRAWINGS





Single or double foot switches thermoplastic type with the EN ISO 13850 emergency stop option.
Available with electric or pneumatic controls.

SINGLE FOOT SWITCHES **GENERAL CHARACTERISTICS**

Application


Foot switches are used to start and stop operations and production processes on machinery and plants, where actuation by hand is impossible. Depending on the environmental conditions and the mechanical duty, different versions of foot switches are available. Applications include use on packaging machines, in the storage and conveyor technology, as well as on textile machinery.



Design and mode of operation:

The foot switches are available in versions with multiple pedals. The switches are mounted with a shield to protect against unintentional actuation. All foot switches are equipped with slow or snap action contacts. Different versions are available with pressure point, potentiometer, Hall sensor and latching element. Foot rests, carrying handle and pedal covers are also available.

The foot switches bear the CE mark according to the Low Voltage Directive.

Comply with	IEC/EN60947-5-1								
Rated insulation voltage Ui	690 (pollution class 3)								
Rated impulse withstand voltage Uimp	4								
Operating frequency	50/60								
Rated thermal current Ith	10								
Rated operating current Ie:									
AC-15 alternate current	V	24	60	120	240	400	440	500	690
	A	16	12	8	6	4,5	3,5	1	1
DC-13 continuous current	V	24	48	60	110	220			
	A	2	1,2	0,85	0,4	0,25			
Conditional short circuit withstand	1000A - 10A-500V class gG fuses								
Contact impedance	≤25								
Contact type	Slow break double gap contacts								
Positive opening	NC contact with positive opening ☺								
Electric shock protection	IEC 536 Class II								
Protection rating	IEC 529 IP65								
Ambient temperature	°C Operating -25 +70								
	°C Storage -30 +70								
Cable entry	pre-broken hole 16,5 - M20 (with safety)								

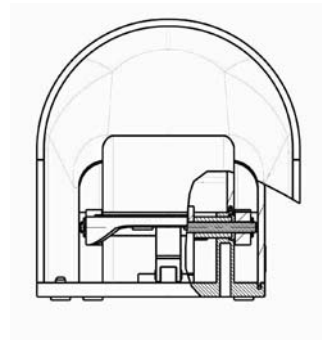
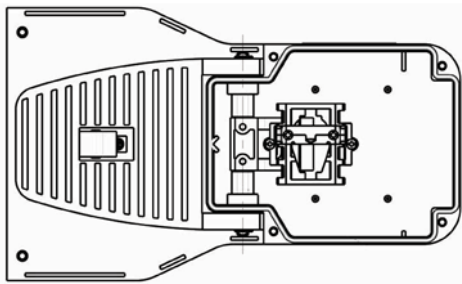
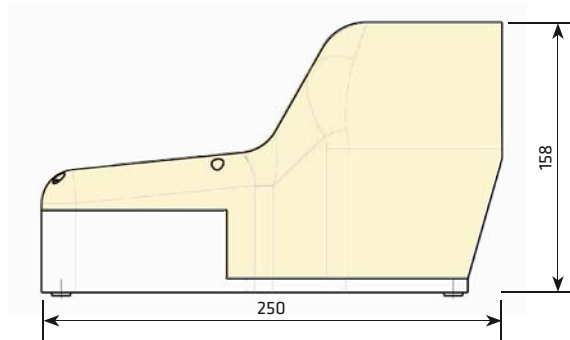
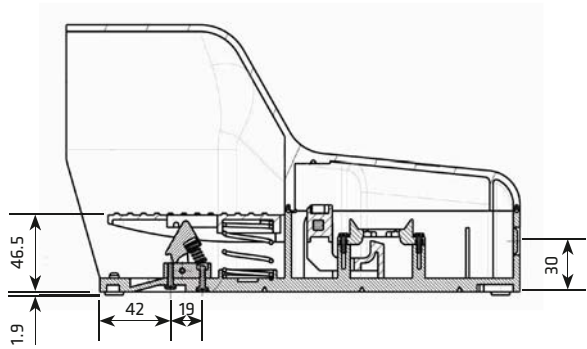
PRODUCT	DESCRIPTION	CONTACTS	CODE	MIN. PACK	WEIGHT
	Foot switch with pedal latching device and without trigger mechanism. Colour: ■ PANTONE 102C	Slow break		Quantity	gr.
		1NO	IP7011	1	1.400

PRODUCT	DESCRIPTION	CONTACTS	CODE	MIN. PACK	WEIGHT
	Foot switch without rest position trigger mechanism. Colour: ■ RAL 3020	Slow break		Quantity	gr.
		1NO+1NC	IP7006I	1	1.300
	Foot switch with pedal latching device and without trigger mechanism. Colour: ■ RAL 3020	1NO+1NC	IP7035	1	1.300

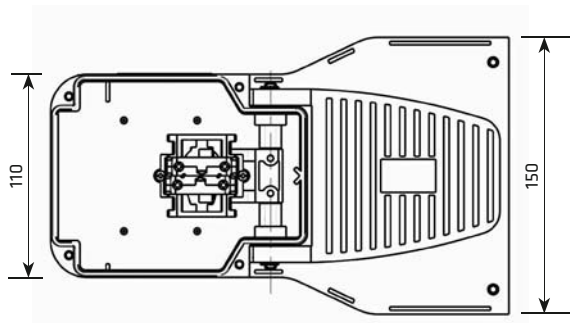
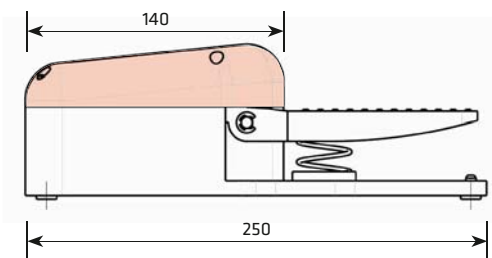
FOOT SWITCHES SERIES | SINGLE FOOT SWITCHES SERIES

IP65 □

DIMENSIONAL DRAWINGS



DIMENSIONAL DRAWINGS





FOOT SWITCHES SERIES | SINGLE FOOT SWITCHES SERIES

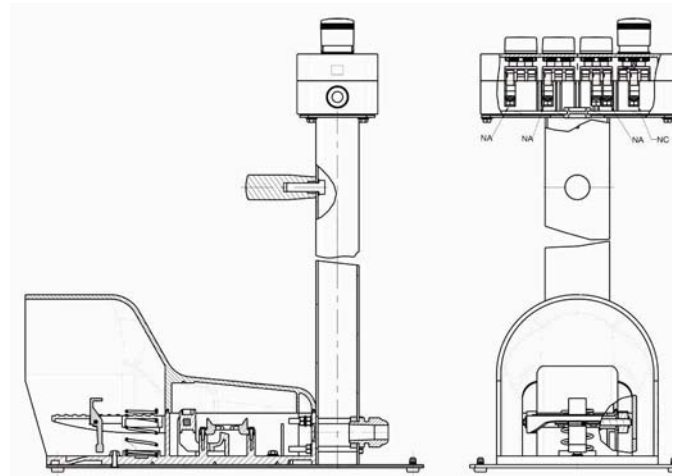
Single or double foot switches thermoplastic type with the EN ISO 13850 emergency stop option.
Available with electric or pneumatic controls.

SINGLE FOOT SWITCHES	DESCRIPTION	CONTACTS	CODE	MIN. PACK	WEIGHT
	Foot switch with trigger mechanism and ENI ISO 13850 emergency stop. Colour: ■ PANTONE 102C	Slow break		Quantity	gr.
		1NO	IP7007EM	1	3.900
		Two speeds 1NO + 1NO	IP7015EM	1	3.910

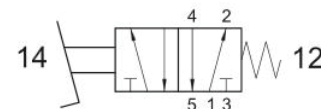


ON REQUEST

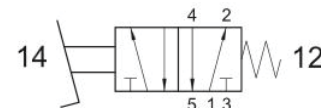
IP7026 with PQ01 station 4 holes with EN ISO 13850 emergency stop.



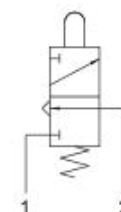
PNEUMATIC SINGLE FOOT SWITCHES	DESCRIPTION	CONTACTS	CODE	MIN. PACK	WEIGHT
	Foot switch pneumatic with trigger mechanism. Colour: ■ PANTONE 102C	Slow break		Quantity	gr.
		With 1/4" 5 ways valve	IP7023	1	1.600



	Foot switch Pneumatic with pedal latching device and without trigger mechanism. Colour: ■ PANTONE 102C	With 1/4" 5 ways valve	IP7024	1	1.600



	Foot switch Pneumatic with trigger mechanism. Colour: ■ PANTONE 102C	With 3/2" ways valve	IP7032	1	1.600

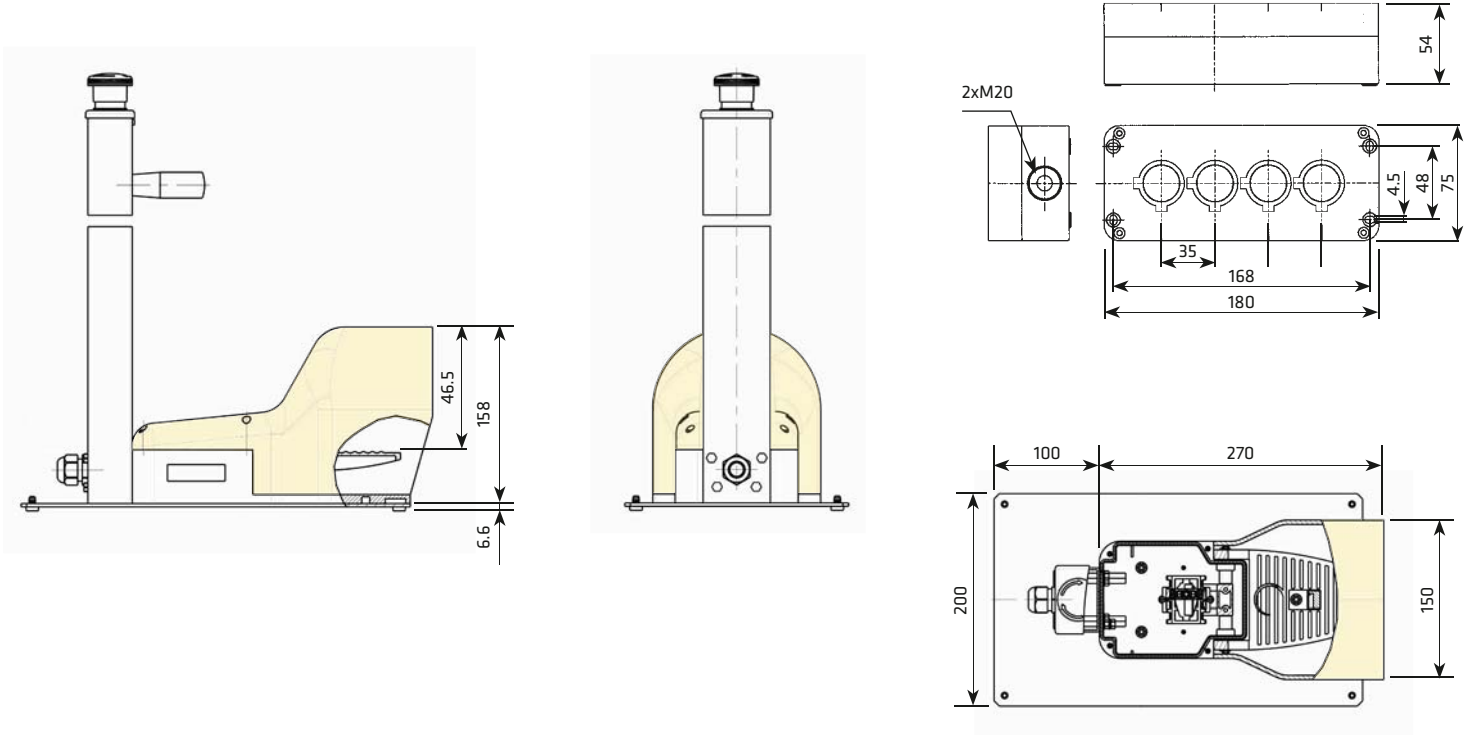


Working pressure 2:10 bar.

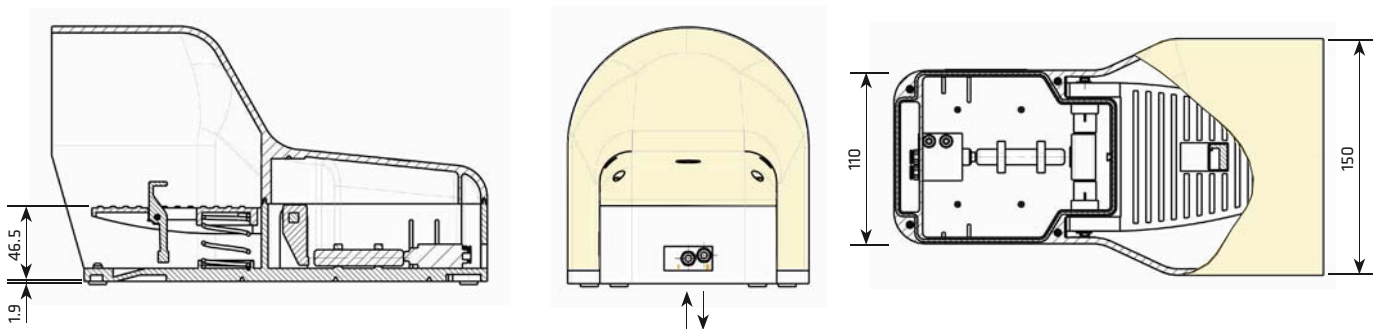
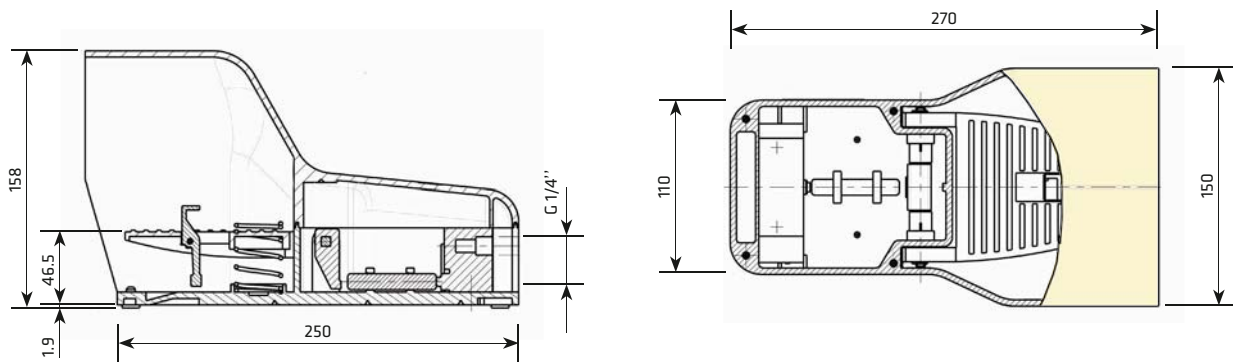
FOOT SWITCHES SERIES | SINGLE FOOT SWITCHES SERIES

IP54 □

DIMENSIONAL DRAWINGS



DIMENSIONAL DRAWINGS





Double foot switches thermoplastic type with EN ISO 418 emergency stop option.

DOUBLE FOOT SWITCHES WITH EN 418 EMERGENCY STOP

DESCRIPTION

Foot switch with trigger mechanism requiring positive action to allow pedal operation.

Colour:
■ PANTONE 102C

CONTACTS

Slow break

1NO + 1NO

CODE

IP7018EM

IP7019EM

MIN. PACK

Quantity

1

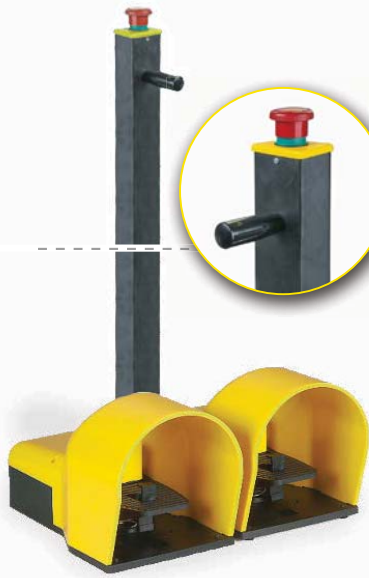
1

WEIGHT

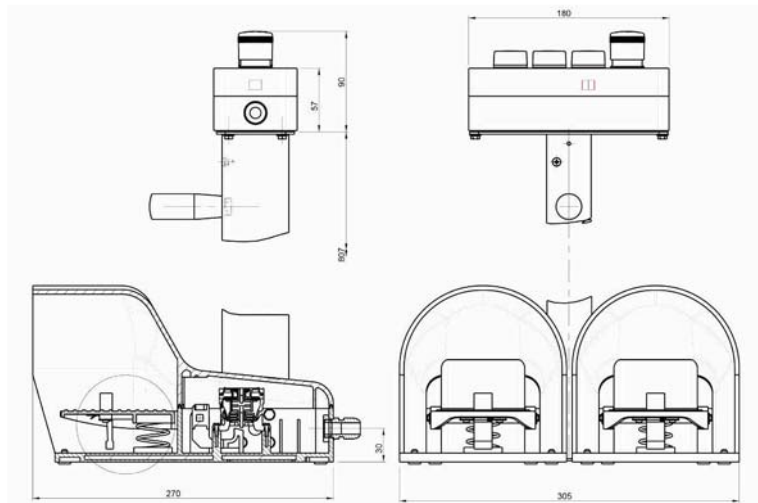
gr.

5.300

5.300



ON REQUEST



Available double foot switch **IP7027** with PQ04 station 4 holes with EN ISO 13850 emergency stop.

Double foot switches thermoplastic type with EN ISO 13850.

DOUBLE FOOT SWITCHES

DESCRIPTION

Foot switch with trigger mechanism requiring positive action to allow pedal operation.

Colour:
■ PANTONE 102C

CONTACTS

Slow break

1NO + 1NO

CODE

IP7018

IP7019

MIN. PACK

Quantity

1

1

WEIGHT

gr.

3.100

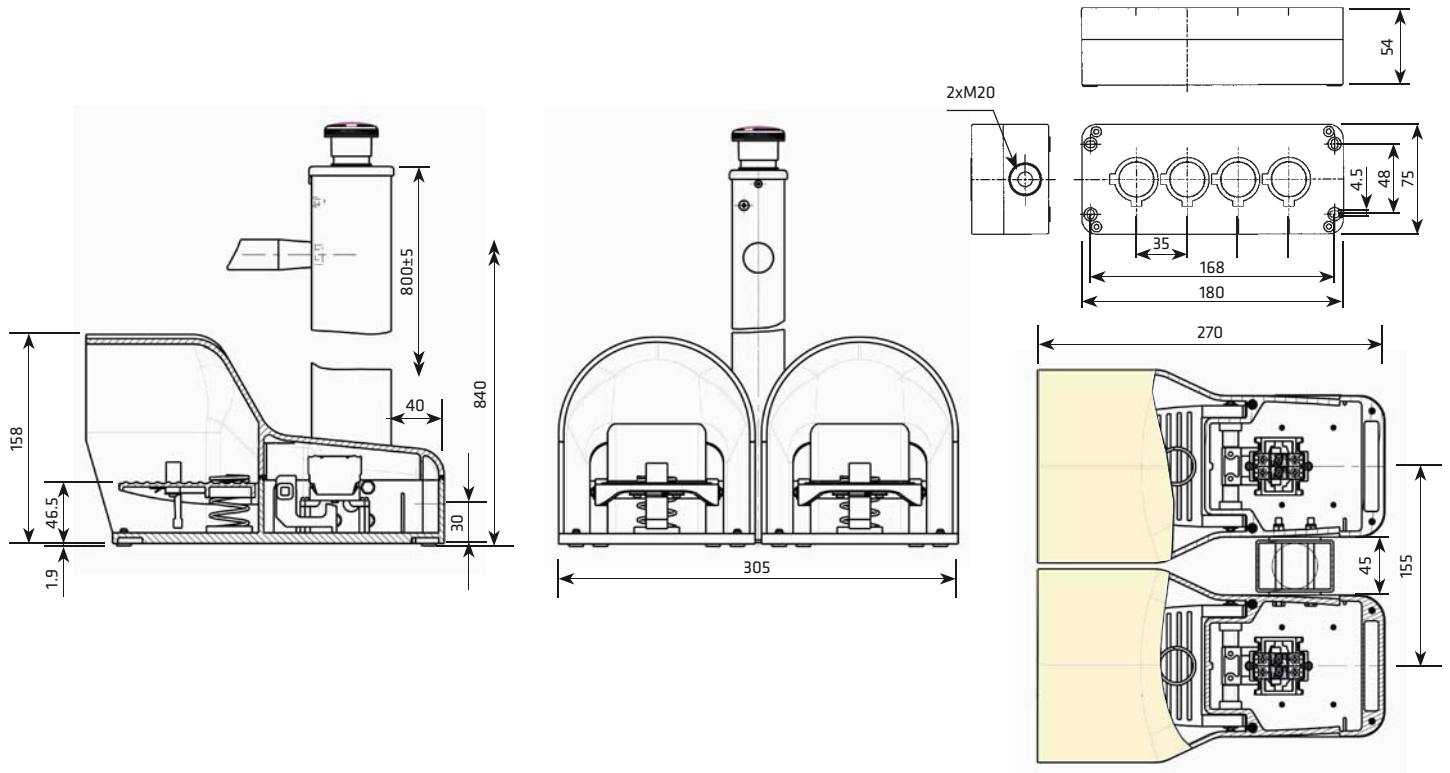
3.100



FOOT SWITCHES SERIES | DOUBLE FOOT SWITCHES SERIES

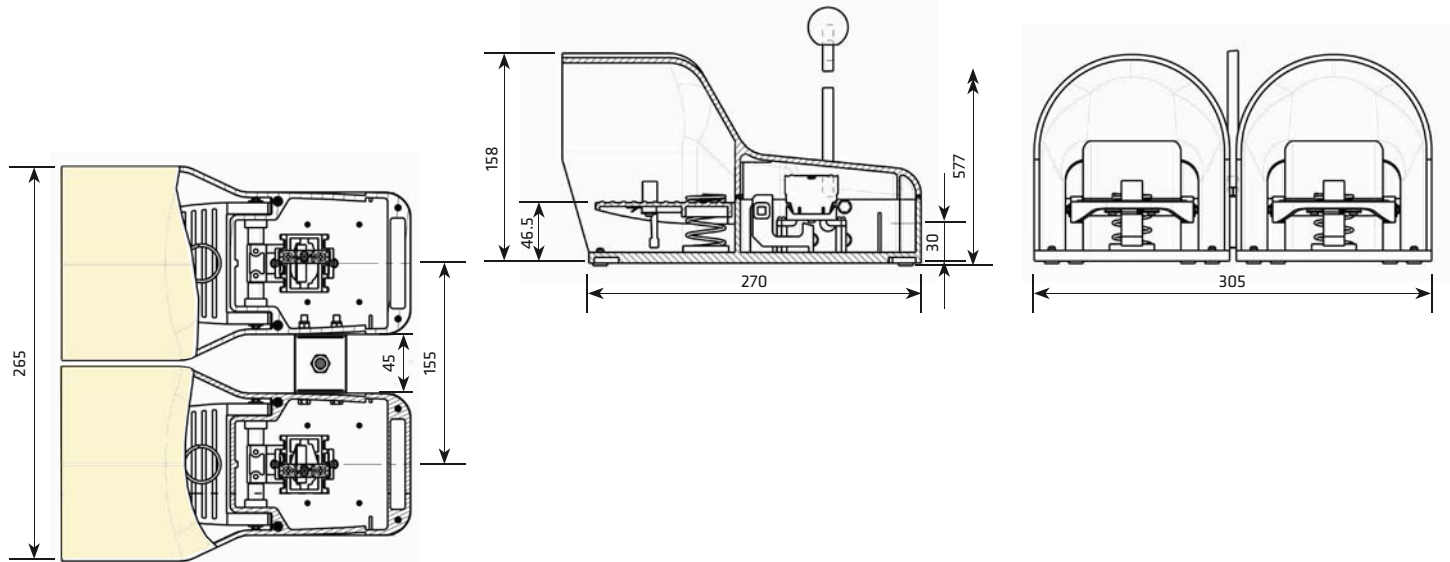
IP54 □

DIMENSIONAL DRAWINGS



IP54 □

DIMENSIONAL DRAWINGS





Contact blocks, Pegasus Emergency Push Button, Potentiometers.



CONTACT BLOCKS	DESCRIPTION	CODE	COLOUR	FUNCTIONS	SCHEME
	Contact Blocks Screw terminals.	PL004001	RED	0 1,5 6mm 	NC 1 — 2
		PL004002	GREEN	0 3,5 6mm 	NO 3 — 4

CHARACTERISTICS IEC/EN60947-5-1 // PLO04001 AND PLO04002

Rated insulation voltage U_i	V	690*
Rated impulse withstand voltage U_{imp}	kV	4*
Frequency	Hz	50/60*
Rated thermal current I_{th}	A	16*
Rated thermal current I_{the}	A	16*

RATED OPERATING CURRENT // PLO04001 AND PLO04002

AC-15 alternate current	V	24	60	120	240	400	440	500	690
	A	16*	12	8	6	4	3,5	3	1
DC-13 continuous current	V	24	48	60	110	220			
	A	2*	1,2	0,85	0,4	0,25*			
Short Circuit characteristics	A	1000A*							
Fuse Rating gG	500 V	10A*							
Contact insulation resistance	m Ω	<25							
Switching mechanism	Slow break double gap contacts								
Contact Duty	NC contact with positive opening ☺								
Minimum tripping force	4N								
Electrical life AC15/mil. cycles	mil. cycles	1A/1,5 - 2A/0,5 - 3A/0,25							

UL508 CHARACTERISTICS // PLO04001 AND PLO04002

Rated insulation voltage U_i	V	10A-600V ac // 2,5A-125V dc
Rated impulse withstand voltage U_{imp}	kV	A600-Q600

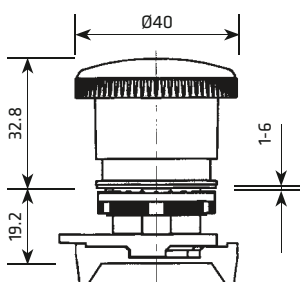
*IMQ Values

PEGASUS EMERGENCY PUSH BUTTON



DESCRIPTION	CODE	COLOUR	MIN. PACK	WEIGHT
Push Button Mushroom operator Ø40 twist to release.	Slow break PPFN1R4N	RAL 3020	Quantity 10	gr. 44

DIMENSIONAL DRAWINGS





GIOVENZANA
INTERNATIONAL B.V.