

Presence detector 360° Slave, DALI – for indoor lighting control

- For flush mounting
- Used together with Master detector type 41-750, 41-751, 41-780 and 41-781
- Extends the detection range to all abovenamed Master detectors
- Plug & Play – no programming
- Rapid and flexible installation with DALI addressable bus
- Detection angle 360° or 3x120° with individual sensitivity
- Settings via Niko Sensor Tool app or IR remote control
- Protection class IP 54

Presence detector Slave 41-752 is designed for flush mounting and for connection to presence detector Master type 41-750, 41-751, 41-780 and 41-781.

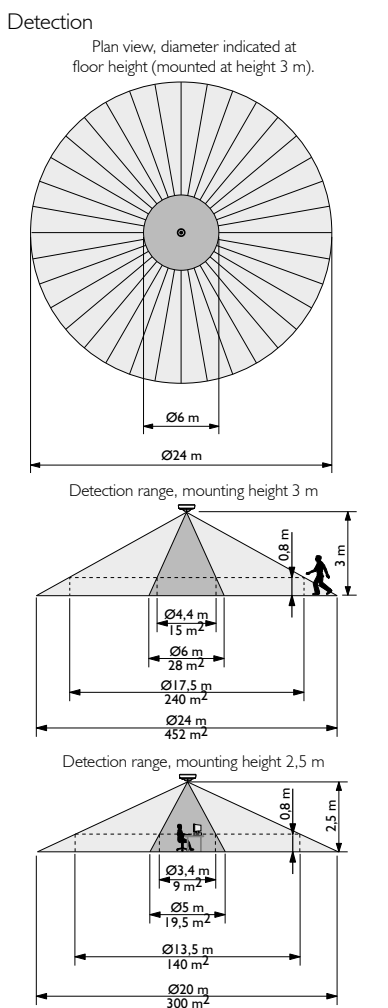
The detector extends the detection range to all abovenamed Master presence detectors. Easy installation, since the DALI is used as a master/slave connection, meaning that separate installation is not necessary.

Settings

Via Niko Sensor Tool app and IR remote control settings of sensitivity is possible and walk-test can be activated.

Order numbers

| Product | Type | EAN no. |
|------------------------|--------|----------------|
| DALI Slave | 41-752 | 5703102 208880 |
| IR-remote control | 41-934 | 5703102 208927 |
| IR-dongle - smartphone | 41-936 | 5703102 209542 |



Technical data



Input

Supply voltage Via the DALI bus
Power consumption 5,5 mA

Performance

Detection area (3x120°) 360°
Detection range for body movement (at installation height of 3 m) 452 m²
Range for small movements (at 2.5 m installation height) 9 m²
Installation height 2 – 3.4 m
Sensitivity 4 settings
Protection class (gasket is mounted) IP 54
Colour Ral 9010 (White)
Ambient temperature -5°C to +50°C

Approval

CE according to EN 60669-2-1

Connection diagram

