



CVM-E3-MINI-FLEX-485-IC

CVM-E3-MINI-FLEX-485-IC, rail power analyzer

Code: M56454.

- > Protocol: Modbus/RTU | BACnet
- > Communications: RS-485
- > Transistor output: 1
- > Digital inputs: 1
- > Harmonics: 31
- > Power supply (Vac): 207...253 Vac
- > Input current: Rogowski
- > Mounting: DIN rail

Description

Three-phase power analyzer (balanced and unbalanced) for mounting on DIN rail, very compact, with measurements in 4 quadrants.

Other features:

- Current measurement .../5 or .../1 A or .../250 mA or Rogowski type sensors
- With ITF technology: ITF galvanic insulation protection
- DIN rail with only 3 modules
- High-contrast backlit display
- 72 x 72 mm panel mounting with front adapter
- RS-485 communication (Modbus/RTU up to 19.2 kbps) (Bacnet up to 19.2 kbps)
- One transistor output (programmable)
- One digital input for selecting tariff or logic states
- Sealable terminal cover
- Harmonic display (V, A) up to 31°

Application

- Control application in low- and medium-voltage distribution panels and switchboards where it is necessary to place an analyzer on the DIN rail due to problems of space.
- Alarm control. Maximum value, minimum value and programmable delay.
- Control of active or reactive energy by impulse output.
- Capture of maximum and minimum instantaneous data of electrical parameters measured.



CVM-E3-MINI-FLEX-485-IC

Three-phase power analyzer for DIN rail

Code: M56454.

Specifications

AC power supply

| | |
|-----------------------|-----------------|
| Installation category | CAT III 300 V |
| Consumption | 4 VA |
| Frequency | 50...60 Hz |
| Nominal voltage | 207...253 Vc.a. |

Mechanical characteristics

| | |
|---------------------------------------|-------------------------------|
| Size (mm) width x height x depth | 52.5 x 118 x 74 (mm) |
| Envelope | Self-extinguishing V0 plastic |
| Differential current measurement | min. 2,5 mm ² |
| Cable gauge at power supply terminals | 1 mm ² (min.) |
| Cable gauge at voltage terminals | mín. 1 mm ² |
| Fastening | DIN rail |
| Weight (kg) | 0,28 |

Environmental characteristics

| | |
|--|----------------------|
| Protection class | IP 30 / Front: IP 40 |
| Relative humidity (without condensation) | 5...95% |
| Storage temperature | -10 ... +50 °C |
| Working temperature | -5 ... +45 °C |

Current measurement circuit

| | |
|-----------------------------------|----------------------------|
| Installation category | CAT III 300 V |
| Nominal current (I _n) | 2000 A |
| Phase current measuring range | 2...120% de I _n |
| Maximum input current consumption | 0,9 VA |
| Minimum current measurement | 5 A |

Voltage measurement circuit

| | |
|---|----------------------------|
| Installation category | CAT III 300 V |
| Input impedance | 400 kΩ |
| Frequency measuring range | 45...65 Hz |
| Voltage measuring range | 5 ... 120 % U _n |
| Nominal voltage | 300V Ph-N, 520V Ph-Ph |
| Minimum measurement voltage (V _{start}) | 11 V Ph-N |

Communications

| | |
|-------------------|-------|
| Fieldbus (BACnet) | MS/TP |
|-------------------|-------|



CVM-E3-MINI-FLEX-485-IC

Three-phase power analyzer for DIN rail

Code: M56454.

| | |
|--------------------|---|
| Fieldbus (ModBus) | RS-485 |
| Stop bits (BACnet) | 1 |
| Stop bits (ModBus) | 1-2 |
| Parity (BACnet) | non |
| Parity | non-pair-impar |
| Protocol | ModBus/RTU, BACnet |
| Speed | ModBus RTU: 9600-19200 bps / BACnet: 9600-19200 bps |

Standards

| | |
|---------------------------------------|--|
| Electrical safety, Maximum height (m) | 2000 |
| Standards | IEC 61010-1, IEC 61010-2-030, IEC 61326-1, IEC 61557-12 , UL94 |

User interface

| | |
|--------------|----------------|
| LED | 2 LED |
| Keyboard | 3 keys |
| Display type | LCD Custom COG |

Digital inputs

| | |
|-------------------------|----------------------------|
| Input/output insulation | Optoisolated |
| Quantity | 1 |
| Type | NPN Potential-free contact |

Digital transistor outputs

| | |
|-------------------|----------------------------|
| Pulse width | 30...500 ms (Programmable) |
| Type | NPN |
| Maximum frequency | 16 imp / s |
| Maximum current | 50 mA |
| Maximum voltage | 24 Vdc |

Measurement accuracy

| | |
|-------------------------------------|----------------|
| Frequency measurement | 0,50% |
| Phase current measurement | 0,5% ± 1 digit |
| Reactive energy measurement (kvarh) | Class 3 |
| Reactive power measurement (kvar) | class 3 |
| Apparent power measurement (kVA) | 2 % ±2 digits |
| Active energy measurement (kWh) | Class 2 |
| Active power measurement (kW) | 2 % ±2 digits |
| Phase voltage measurement | 0.5% ± 1 digit |



CVM-E3-MINI-FLEX-485-IC

Three-phase power analyzer for DIN rail

Code: M56454.

CVM-E3-MINI

Power analyzer, three-phase DIN rail

| CODE | TYPE | Input current | Transistor output | Digital inputs | Communications | Protocol |
|---------|-------------------------|-------------------|-------------------|----------------|----------------|---------------------|
| M56414. | CVM-E3-MINI-ITF-485-IC | .../5 A .../1 A | 1 | 1 | RS-485 | Modbus/RTU BACnet |
| M56424. | CVM-E3-MINI-MC-485-IC | .../250 mA | 1 | 1 | RS-485 | Modbus/RTU BACnet |
| M56454. | CVM-E3-MINI-FLEX-485-IC | Rogowski | 1 | 1 | RS-485 | Modbus/RTU BACnet |

Bluetooth is built into every WiEth model, which can be set up using the free MyConfig app. RS-485 models, option to switch power supplies. Consult additional services

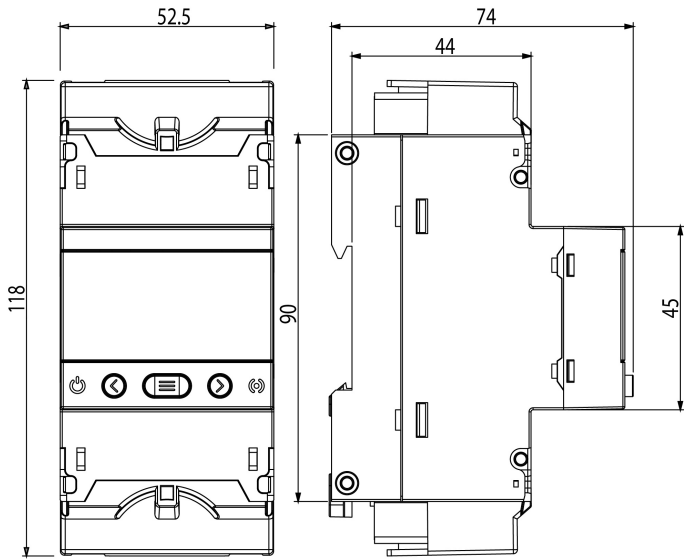


CVM-E3-MINI-FLEX-485-IC

Three-phase power analyzer for DIN rail

Code: M56454.

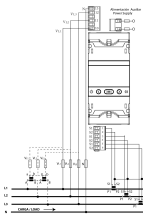
Dimensions



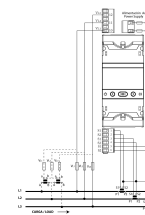
Connections



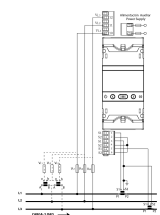
RED trifásica - 4 hilos



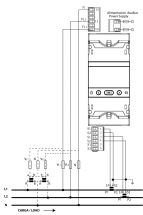
RED trifásica - 3 hilos



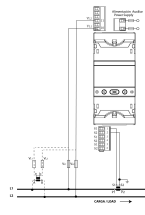
RED trifásica - 3 hilos- ARON



RED bifásica - 3 hilos



RED Fase-fase - 2 hilos



RED Fase-Neutro - 2 hilos

