
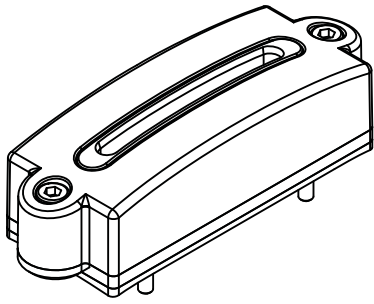
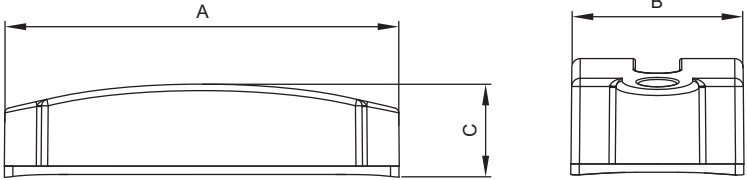
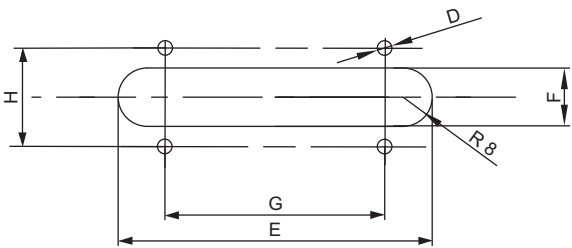
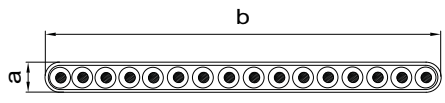

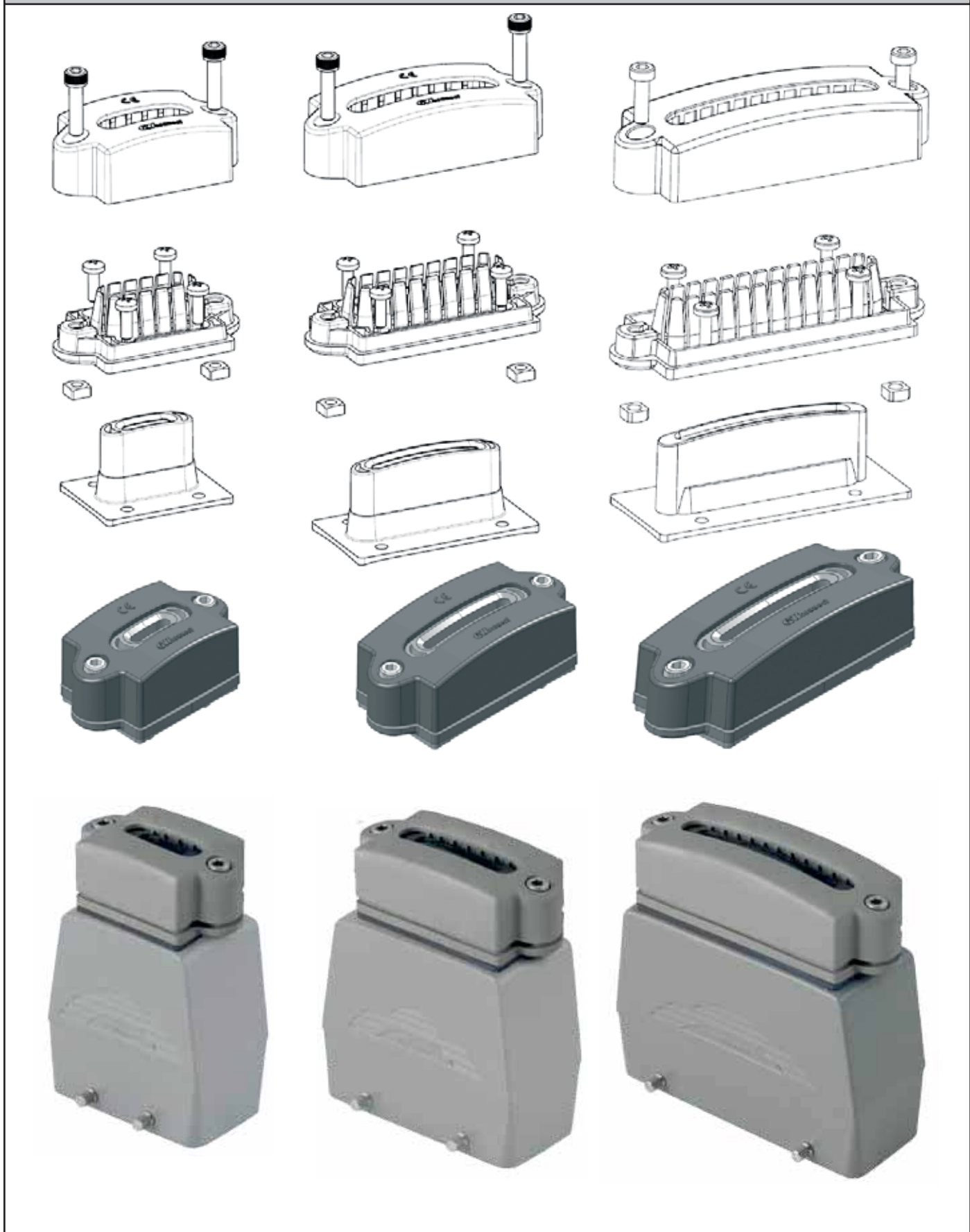


Technical characteristics Caratteristiche tecniche		Size Grandezza	Ribbon cable size a x b Grandezza cavo a x b	Part No. Codice																																				
    <p>Panel cut out Foratura del pannello</p>		 <table border="1"> <tr> <td></td> <td>a x b</td> <td></td> </tr> <tr> <td>10B</td> <td>3,8-9 x 17-23</td> <td>7000.7360.0</td> </tr> <tr> <td>10B</td> <td>3,8-9 x 26-35</td> <td>7000.7361.0</td> </tr> <tr> <td>16B</td> <td>3,8-9 x 40-47</td> <td>7000.7370.0</td> </tr> <tr> <td>16B</td> <td>3,8-9 x 48-56</td> <td>7000.7371.0</td> </tr> <tr> <td>24B</td> <td>3,8-5,1 x 62-66</td> <td>7000.7380.0</td> </tr> <tr> <td>24B</td> <td>4,5-5,7 x 72-76</td> <td>7000.7381.0</td> </tr> </table>				a x b		10B	3,8-9 x 17-23	7000.7360.0	10B	3,8-9 x 26-35	7000.7361.0	16B	3,8-9 x 40-47	7000.7370.0	16B	3,8-9 x 48-56	7000.7371.0	24B	3,8-5,1 x 62-66	7000.7380.0	24B	4,5-5,7 x 72-76	7000.7381.0															
	a x b																																							
10B	3,8-9 x 17-23	7000.7360.0																																						
10B	3,8-9 x 26-35	7000.7361.0																																						
16B	3,8-9 x 40-47	7000.7370.0																																						
16B	3,8-9 x 48-56	7000.7371.0																																						
24B	3,8-5,1 x 62-66	7000.7380.0																																						
24B	4,5-5,7 x 72-76	7000.7381.0																																						
Cable gland for ribbon cables Pressacavi per cavi piatti																																								
		 IP protection: IP66 / IP69 Grado di protezione IP: Working temperature: -40°C + +100°C Temperatura di lavoro: Materials: Pa 66 UL94 V-0 Materiali: Gaskets: Silicon Guarnizioni:																																						
		Characteristics/Caratteristiche: Special design of clamping die, sealing and rubber part prolonging cable life. Waterproof, dustproof, and high resistance to salt, acid, alkali, alcohol, grease and common solvents. <i>Particolare progetto del sistema di chiusura, del sistema di tenuta e della guarnizione. Aumenta la durata del cavo. Resistente all'acqua, alla polvere, all'ambiente salino, agli acidi, agli alcali, all'alcool, ai grassi ed ai comuni solventi.</i>																																						
		Applications/Applicazioni: For sealed enclosures and boxes, where flat cable are used Per custodie e cassette stagne dove sono utilizzati cavi piatti																																						
		Color: Grey RAL 7037, other colors on demand Colore: Grigio RAL 7037, altri colori su richiesta																																						
<table border="1"> <thead> <tr> <th>Size Grandezza</th> <th>A</th> <th>B</th> <th>C</th> <th>D</th> <th>E</th> <th>F</th> <th>G</th> <th>H</th> </tr> </thead> <tbody> <tr> <td>10B</td> <td>73</td> <td>43</td> <td>32</td> <td>M4</td> <td>41</td> <td>16</td> <td>29</td> <td>27</td> </tr> <tr> <td>16B</td> <td>95</td> <td>43</td> <td>33</td> <td>M4</td> <td>63</td> <td>16</td> <td>49</td> <td>27</td> </tr> <tr> <td>24B</td> <td>120</td> <td>43,5</td> <td>33</td> <td>M4</td> <td>86</td> <td>16</td> <td>60</td> <td>27</td> </tr> </tbody> </table>					Size Grandezza	A	B	C	D	E	F	G	H	10B	73	43	32	M4	41	16	29	27	16B	95	43	33	M4	63	16	49	27	24B	120	43,5	33	M4	86	16	60	27
Size Grandezza	A	B	C	D	E	F	G	H																																
10B	73	43	32	M4	41	16	29	27																																
16B	95	43	33	M4	63	16	49	27																																
24B	120	43,5	33	M4	86	16	60	27																																
IP66/IP69 (EN60529)																																								
Remark: The cable shall have a smooth surface When using cables with corrugated jacket the IP protection degree has to be checked by the user.																																								
Nota: I cavi devono avere la superficie liscia. Con cavi con guaina corrugata il grado di protezione IP deve essere verificato dall'utilizzatore.																																								
<p style="color: red;">Patented Brevettato</p>																																								

Applications
Applicazioni



Applications
Applicazioni



Applications with plastic
or metal enclosures
*Applicazioni con cassette
in plastica o metalliche*



On hoods for MIC connectors
Su custodia per connettori MIC



Applications with multipole
connectors MIC hood/housing
*Applicazioni con custodie per
connettori multipolari MIC*