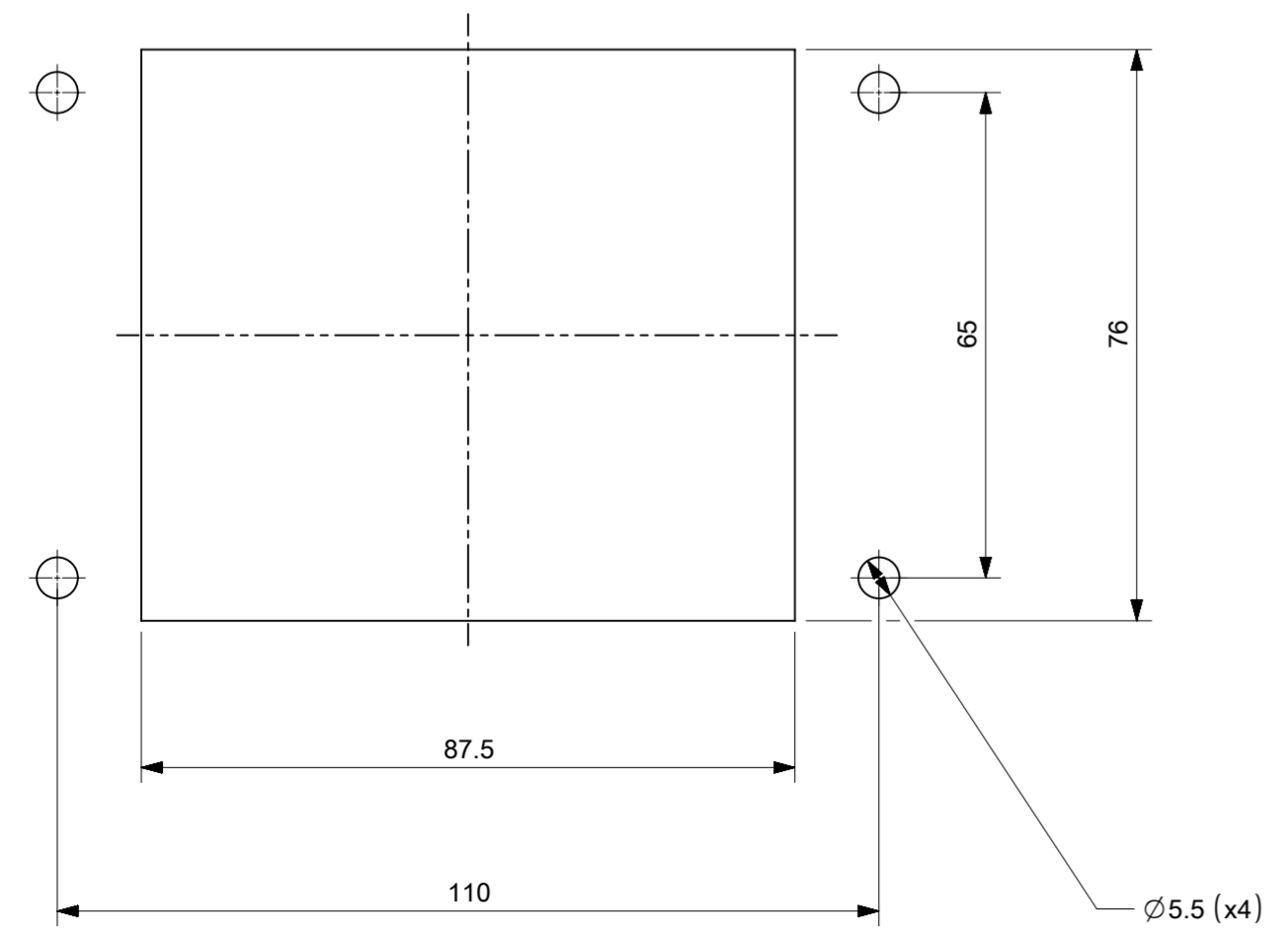


PANEL CUT OUT



SYMBOLS ▽ = 0 ▽ = 0 ▽ = 0 ▽ = 0 ▽ = 0 ▽ = 0 ▽ = 0 ▽ = 0 ▽ = 0 ▽ = 0 ▽ = 0	THIS DRAWING CONTAINS INFORMATION THAT IS PROPRIETARY TO MOLEX ELECTRONIC TECHNOLOGIES, LLC AND SHOULD NOT BE USED WITHOUT WRITTEN PERMISSION		CURRENT REV DESC:				
	DIMENSION UNITS	SCALE				EC NO: 177920 DRWN: AKHEMIRI 2018/06/11 CHK'D: DMERONI 2018/06/11 APPR: AMELZI 2018/06/12	
	mm	1:1					
	GENERAL TOLERANCES (UNLESS SPECIFIED)		INITIAL REVISION:		DOCUMENT NUMBER 936014365		
	ANGULAR TOL	± °			DOC TYPE PSD		
	4 PLACES	±			DOC PART 000		
	3 PLACES	±			REVISION A		
	2 PLACES	±					
	1 PLACE	±					
	0 PLACES	±					
DRAFT WHERE APPLICABLE MUST REMAIN WITHIN DIMENSIONS		FIRST ANGLE PROJECTION	DRAWING	SERIES	MATERIAL NUMBER	CUSTOMER	SHEET NUMBER
			A2-SIZE	93601	936014365	GENERAL MARKET	1 OF 1