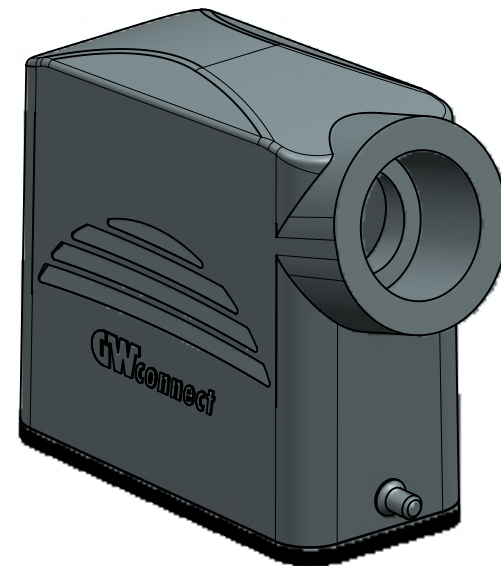
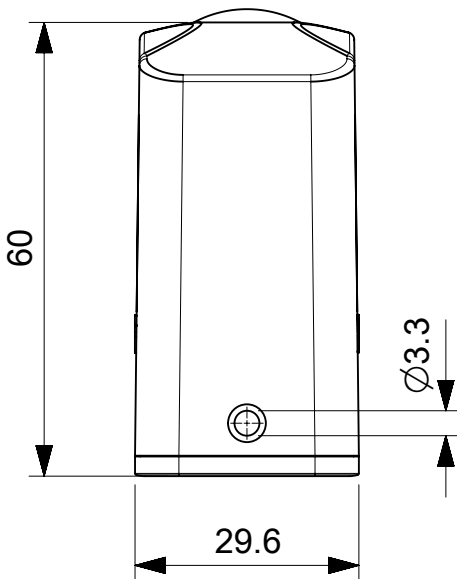
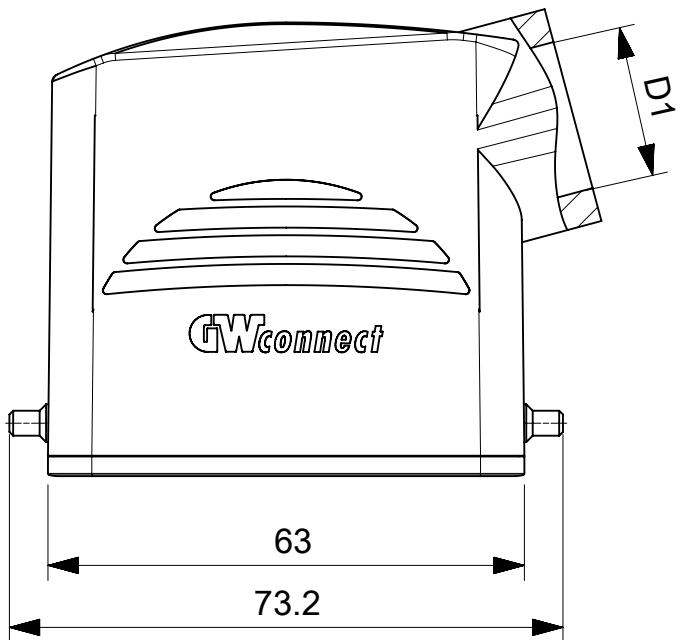


GASKET



Eng.No.	SAP.No.	D1
7810.4571.0	936011206	M20
7810.4572.0	936011209	M25
7810.4573.0	936011212	Pg16

SYMBOLS										THIS DRAWING CONTAINS INFORMATION THAT IS PROPRIETARY TO MOLEX ELECTRONIC TECHNOLOGIES, LLC AND SHOULD NOT BE USED WITHOUT WRITTEN PERMISSION									
DIMENSION UNITS		SCALE		CURRENT REV DESC:															
$\nabla$ = 0	mm	1:1		EC NO: 174620 DRWN: AKHEMIRI 2018/03/06 CHK'D: DMERONI 2018/03/12 APPR: AMELZI 2018/04/04 INITIAL REVISION: DRWN: AKHEMIRI 2018/03/06 APPR: AMELZI 2018/04/04															
$\nabla$ = 0	GENERAL TOLERANCES (UNLESS SPECIFIED)																		
$\nabla$ = 0	ANGULAR TOL ± °																		
$\nabla$ = 0	4 PLACES	±																	
$\nabla$ = 0	3 PLACES	±																	
$\nabla$ = 0	2 PLACES	±		10A STANDARD HOOD WITH 2 PEGS SIDE ENTRY PRODUCT CUSTOMER DRAWING															
$\nabla$ = 0	1 PLACE	±																	
$\nabla$ = 0	0 PLACES	±																	
$\nabla$ = 0	DRAFT WHERE APPLICABLE MUST REMAIN WITHIN DIMENSIONS			FIRST ANGLE PROJECTION		DRAWING		SERIES		DOCUMENT NUMBER		DOC TYPE		DOC PART		REVISION			
$\nabla$ = 0				A4-SIZE		93601		936011206		PSD		000		A					
DOCUMENT STATUS				P1		RELEASE DATE		2018/04/04		16:34:27		SEE TABLE		GENERAL MARKET		1 OF 1			