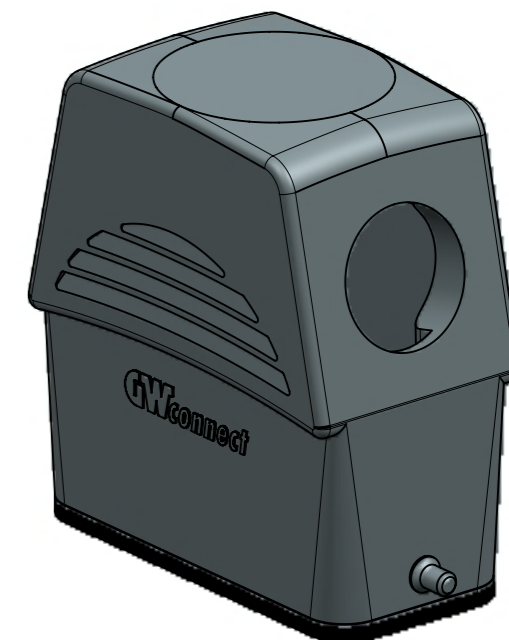
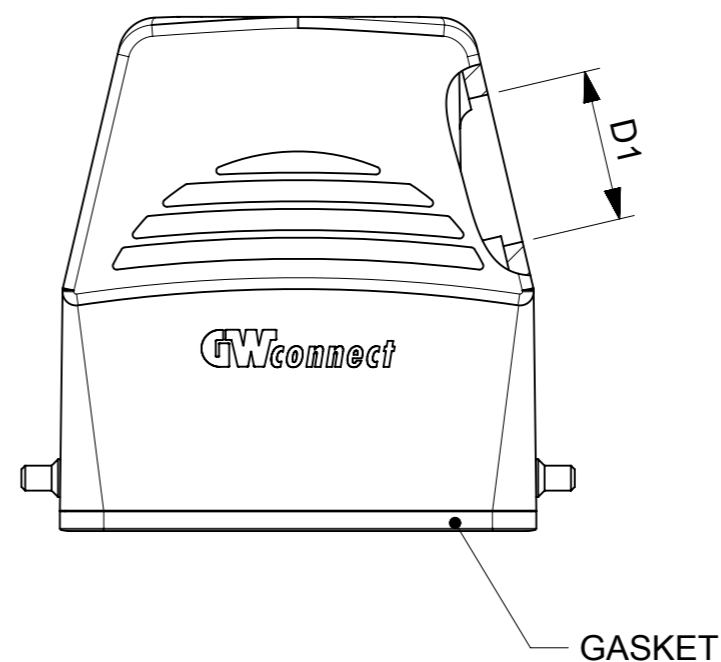
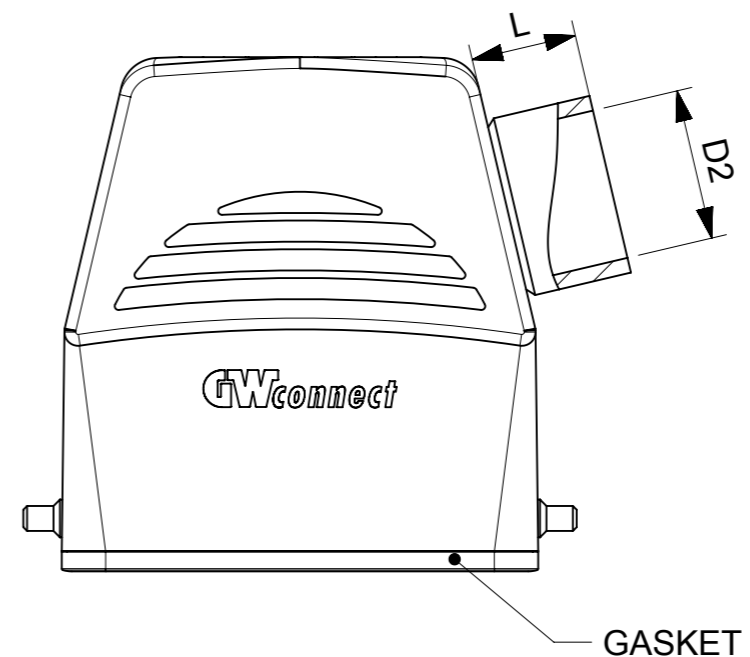


WITHOUT THREADED FITTING



WITH THREADED FITTING



Eng.No.	SAP No.	D1 W/O FITTING	D2 W/ FITTING	L
7810.4581.0	936011215	-	M20	14
7810.4582.0	936011221	-	M25	15
7810.4583.0	936011227	-	Pg16	14
7810.4584.0	936011233	-	Pg21	15
7810.4581.5	936011218	M20	-	-
7810.4582.5	936011224	M25	-	-
7810.4583.5	936011230	Pg16	-	-
7810.4584.5	936011236	Pg21	-	-

THIS DRAWING CONTAINS INFORMATION THAT IS PROPRIETARY TO MOLEX ELECTRONIC TECHNOLOGIES, LLC AND SHOULD NOT BE USED WITHOUT WRITTEN PERMISSION		CURRENT REV DESC:		<b>molex</b>	
DIMENSION UNITS	SCALE	EC NO: 174716			
mm	1:1	DRWN: AKHEMIRI 2018/04/05		10A STANDARD HOOD 2 PEGS HIGH CONSTRUCTION SIDE ENTRY WITH / WITHOUT FITTING	
GENERAL TOLERANCES (UNLESS SPECIFIED)		CHK'D: DMERONI 2018/04/06		PRODUCT CUSTOMER DRAWING	
ANGULAR TOL	± °	APPR: AMELZI 2018/04/06		DOCUMENT NUMBER	
4 PLACES	±	INITIAL REVISION:		936011215	
3 PLACES	±	DRWN: AKHEMIRI 2018/03/15		DOC TYPE	
2 PLACES	±	APPR: AMELZI 2018/04/06		PSD	
1 PLACE	±	MATERIAL NUMBER		000	
0 PLACES	±	CUSTOMER		A	
DRAFT WHERE APPLICABLE MUST REMAIN WITHIN DIMENSIONS		FIRST ANGLE PROJECTION	DRAWING	SERIES	SHEET NUMBER
			A3-SIZE	93601	1 OF 1