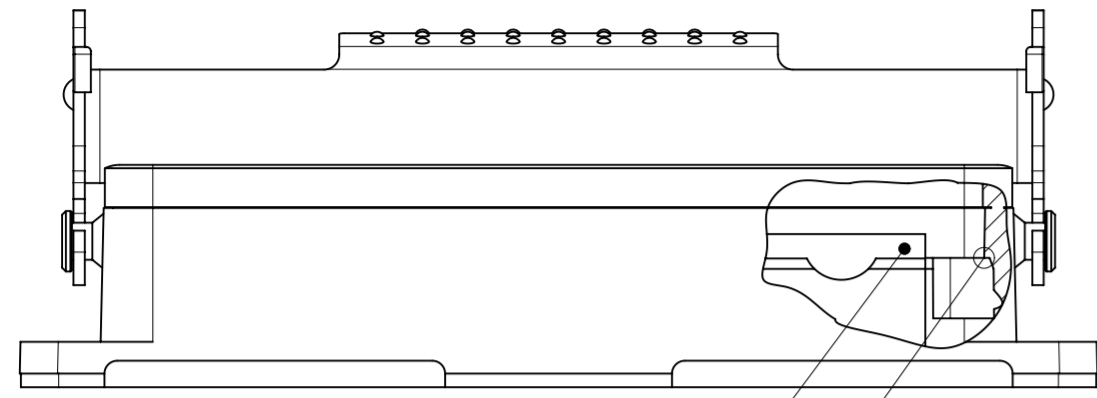


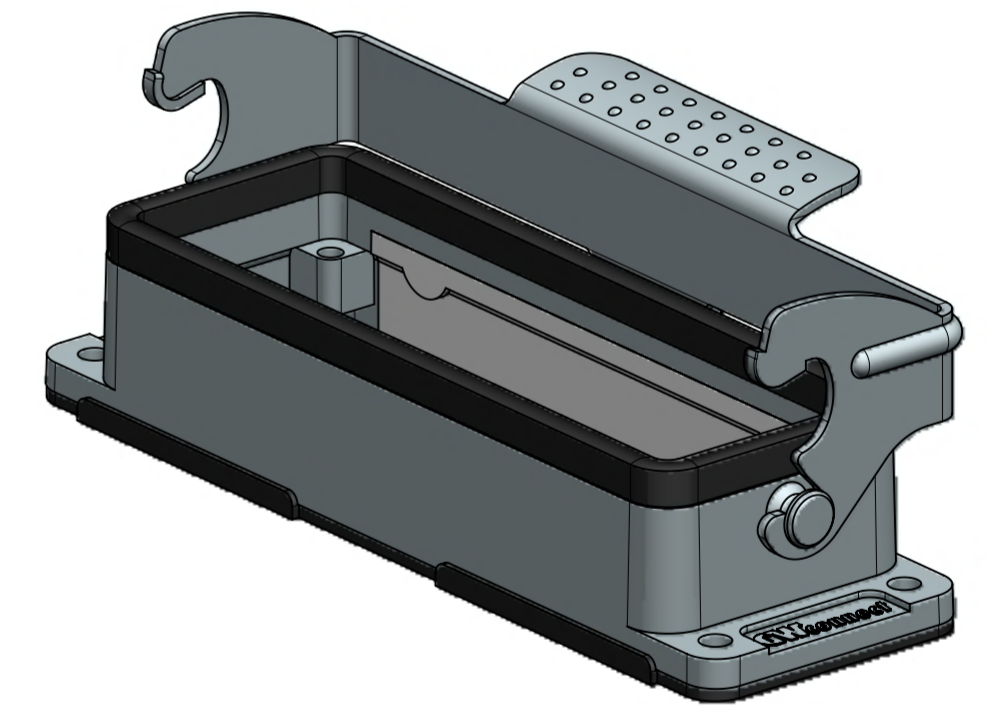
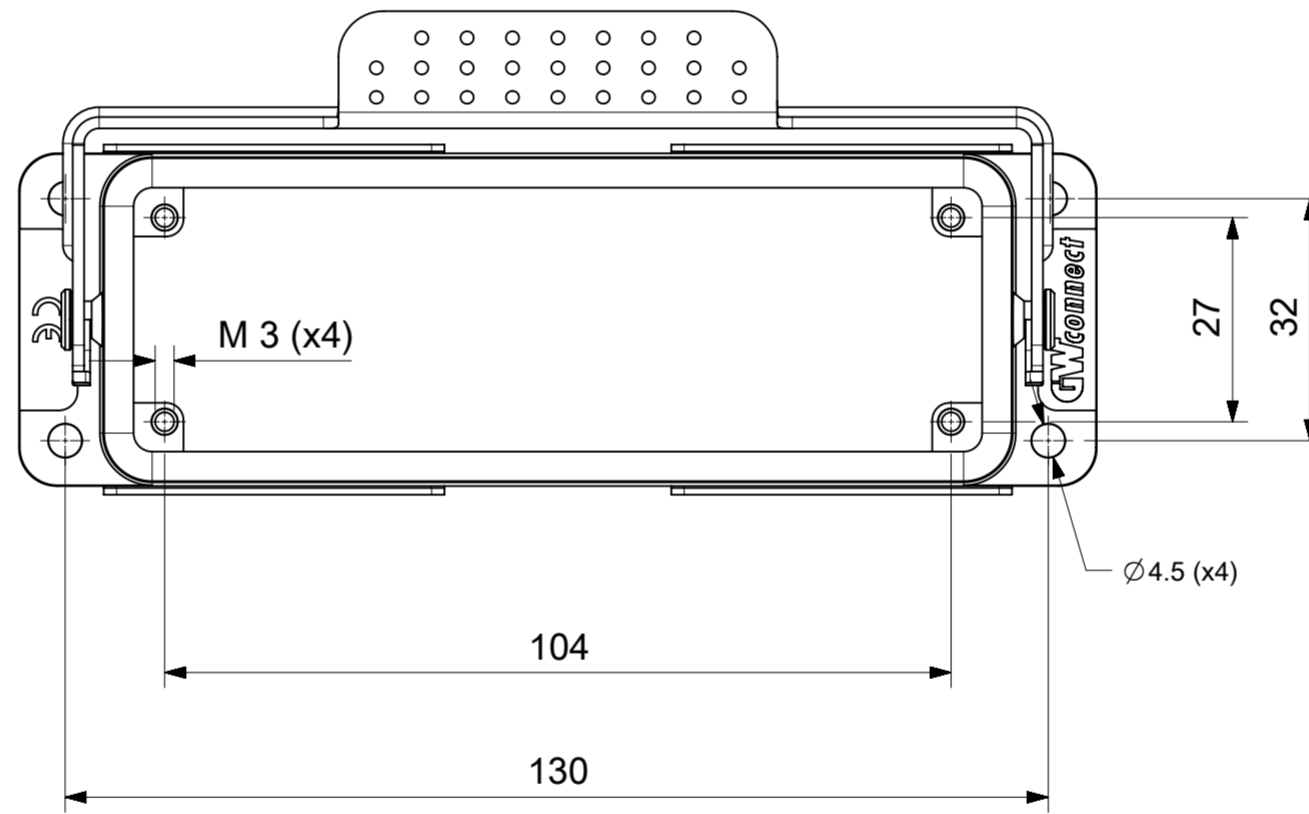
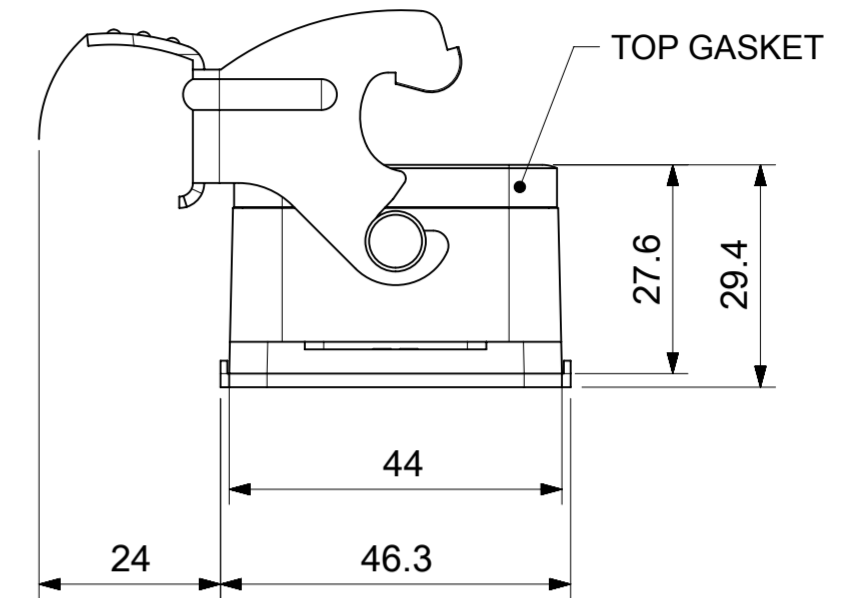
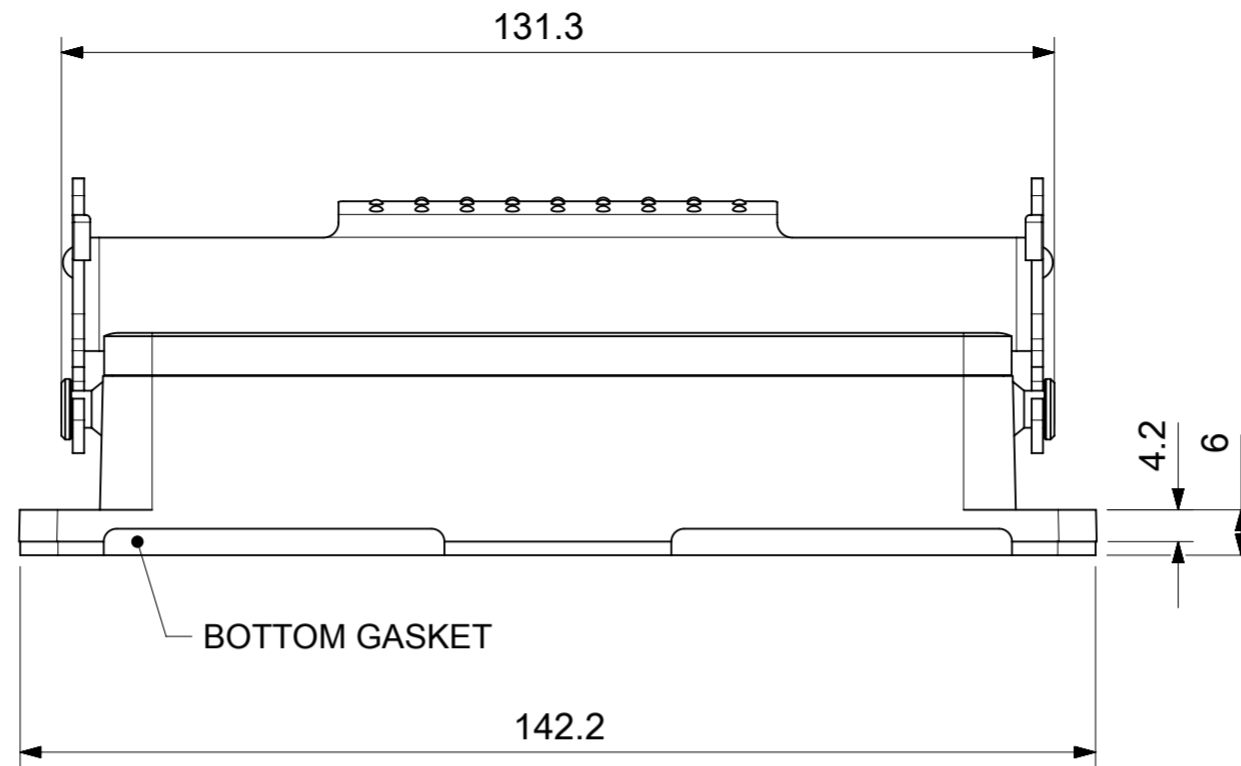
STANDARD HIGH VOLTAGE VERSION

STANDARD VERSION

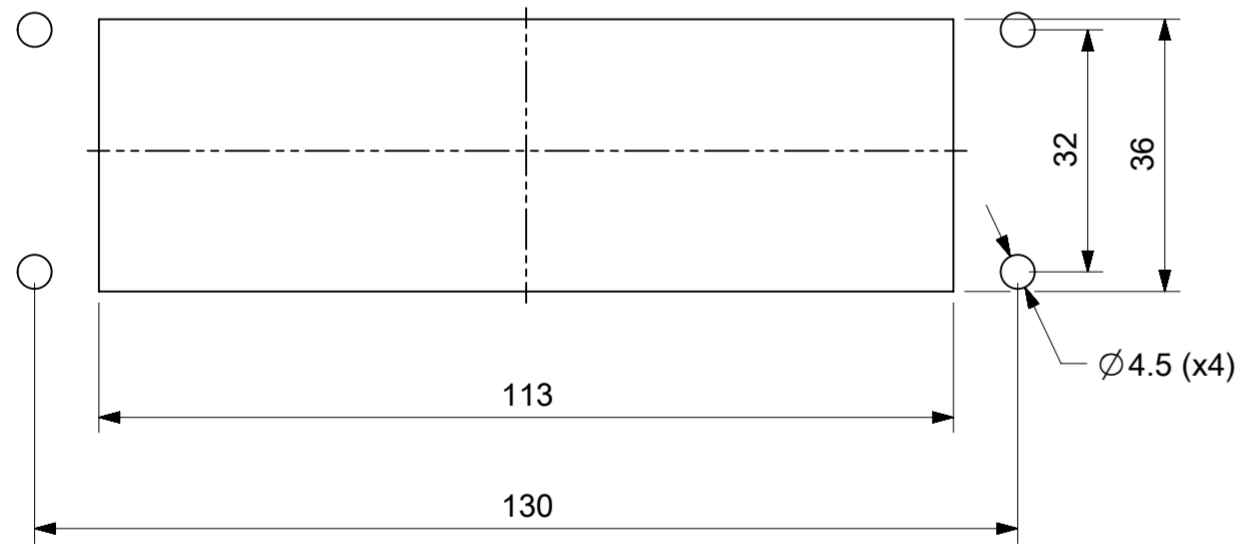


INSULATING ADHESIVE TAPE ON BOTH SIDES

SUITABLE FOR HIGH VOLTAGE INSERTS



PANEL CUT OUT



SAP.No.	Eng.No.	TYPE
936013532	7824.6407.0	STANDARD
936013534	7824.6407.2	STANDARD HIGH VOLTAGE

SYMBOLS THIS DRAWING CONTAINS INFORMATION THAT IS PROPRIETARY TO MOLEX ELECTRONIC TECHNOLOGIES, LLC AND SHOULD NOT BE USED WITHOUT WRITTEN PERMISSION DIMENSION UNITS: mm SCALE: 1:1 GENERAL TOLERANCES (UNLESS SPECIFIED) ANGULAR TOL: ± ° 4 PLACES ± 3 PLACES ± 2 PLACES ± 1 PLACE ± 0 PLACES ± DRAFT WHERE APPLICABLE MUST REMAIN WITHIN DIMENSIONS	CURRENT REV DESC:					
	EC NO: 177920					24B STANDARD AND HIGH VOLTAGE BULKHEAD MOUNTING HOUSING 1 LEVER
	DRWN: AKHEMIRI 2018/06/11		PRODUCT CUSTOMER DRAWING		DOCUMENT NUMBER	
	CHK'D: DMERONI 2018/06/11		INITIAL REVISION:		DOC TYPE DOC PART REVISION	
APPR: AMELZI 2018/06/12		DRWN: AKHEMIRI 2018/06/08		936013534 PSD 000 A		
APPR: AMELZI 2018/06/12		SERIES: 93601		MATERIAL NUMBER CUSTOMER SHEET NUMBER		
FIRST ANGLE PROJECTION		DRAWING: A2-SIZE		SEE TABLE GENERAL MARKET 1 OF 1		