



EURO 2.5

Article: **43408 OR**

Feed-through terminal block - Orange
Screw connection - 2.5mm² / 12AWG - Width 5 mm



GENERAL DATA

Series	EURO 2.5
Item	43408 OR
Weight/Piece	6,4 g
Customs tariff	85369010
Page/Catalog	38 / 01
Colour	Orange
Q.ty p.pck.	100
Q.ty p. box	3.300

TECHNICAL DATA / DIMENSIONS

Dimensions

Width mm(in.)	5 (0.20)
Length mm(in.)	44 / 47 (1.73 / 1.85)
Height mm(in.)	36 (1.42)
Mounting type (EN 60715)	Omega TH35

Technical data

Maximum load current	24A
Insulating material	PA
Self-extinguishing degree acc. to UL94	V2
Rated surge voltage	8kV
Pollution degree	3
Surge voltage category	III
Insulating material group	I
Nominal Voltage	1000V
Nominal Current	24A

Connection data

Conductor cross-section solid min/max	0.50 / 4 mm ²
Conductor cross-section stranded min/max	0.50 / 4 mm ²
AWG min/max	24-12AWG
Max conductor cross-section stranded with ferrule with plastic sleeve	2.5 mm ² / L=12 mm



Stripping length	max 9 mm / 0.35in
Screw	M2.6
Tightening torque	0,5Nm / 4. 0 Lb.-In

APPROVALS



RINA

EN60947-7-1

2.5mm² – 1000V – 24A

EN60068-2-11

Salt mist test for 96 hours

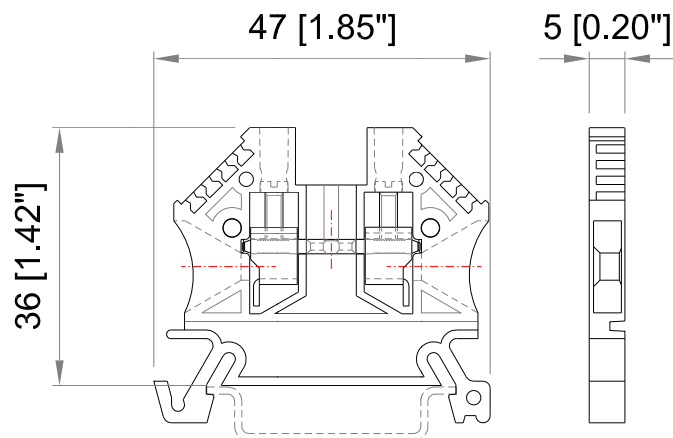
ENEL DV27


UL1059
 E203985

C22.2 NO 158-10
SCCR 100kA

AWG 24-12 – 600V – 20A

TECHNICAL DRAWINGS



ACCESSORIES

Marking

Item	Description
43059	Single-digit marking tag (5 x 3 mm) - white
43060/0 ÷ 43060/9	Single-digit marking tag (5 x 3 mm) – with marking: 0 ÷ 9
43060/A ÷ 43060/Z	Single-digit marking tag (5 x 3 mm) – with marking: A ÷ Z
43094	Marking tag adapter – 6 slots for marking tags
43192	Marking tags (5 x 12 mm) - white (<i>special marking on request</i>)



Marking

Item	Description
438MFC0512TB	Tags 5x12 for MI Series and 438MWK0512TBA (45tags x 20cards)
438MFC0512ST	Strip -pitch 5 for:438MWK0512TBA and 438WLC0512TBA
438MWK0512TBA	Tag adapter for: MI-EURO/Weid-WDU-ZDU/Klemsan -1box=250

DIN RAIL system - Mounting and Installation material

Item	Description
43910	Steel Omega rail 35/7,5mm - 2mt length
43910/F	Slotted steel Omega rail 35/7,5mm - 2mt length
43911	Steel Omega rail 35/15mm - 2mt length
43911/F	Slotted steel Omega rail 35/15mm - 2mt length
43028	Angled support bracket
43442	EURO STOP - End bracket width 9
43444	EURO STOP - End bracket width 6
43447	EURO STOP - Snap-on end bracket width 6
43449	EURO STOP - End bracket cover profile carrier
43449-C	EURO STOP - Cover profile - Length 100cm

Additional items

Item	Description
43010	End plate
43015	Separator
43035	Cover for EURO 2.5
43525/02	EURO J2,5 - Jumper bar 2 poles - pitch 5,1mm
43525/03	EURO J2,5 - Jumper bar 3 poles - pitch 5,1mm
43525/24	EURO J2,5 - Jumper bar 24 poles - pitch 5,1mm
43515	Ratchet Cutting Tool for 43525/..Jumpers - orange - pitch 5,1mm
43926 R	Red test plug adapter
43926 S	Black test plug adapter