



# EURO 2.5

Article: **43408**



Feed-through terminal block - Grey  
 Screw connection - 2.5mm<sup>2</sup> / 12AWG - Width 5 mm



## GENERAL DATA

Series	<b>EURO 2.5</b>
Item	<b>43408</b>
Weight/Piece	<b>6,4 g</b>
Customs tariff	<b>85369010</b>
Page/Catalog	<b>38 / 01</b>
Colour	<b>Grey</b>
Q.ty p.pck.	<b>100</b>
Q.ty p. box	<b>3.300</b>

## TECHNICAL DATA / DIMENSIONS

### Dimensions

Width mm(in.)	5 (0.20)
Length mm(in.)	44 / 47 (1.73 / 1.85)
Height mm(in.)	36 (1.42)
Mounting type (EN 60715)	Omega TH35

### Technical data

Maximum load current	24A
Insulating material	PA
Self-extinguishing degree acc. to UL94	V2
Rated surge voltage	8kV
Pollution degree	3
Surge voltage category	III
Insulating material group	I
Nominal Voltage	1000V
Nominal Current	24A

### Connection data

Conductor cross-section solid min/max	0.50 / 4 mm <sup>2</sup>
Conductor cross-section stranded min/max	0.50 / 4 mm <sup>2</sup>
AWG min/max	24-12AWG
Max conductor cross-section stranded with ferrule with plastic sleeve	2.5 mm <sup>2</sup> / L=12 mm



Stripping length	max 9 mm / 0.35in
Screw	M2.6
Tightening torque	0,5Nm / 4. 0 Lb.-In

## APPROVALS



RINA

EN60947-7-1

2.5mm<sup>2</sup> – 1000V – 24A

EN60068-2-11

Salt mist test for 96 hours

ENEL DV27

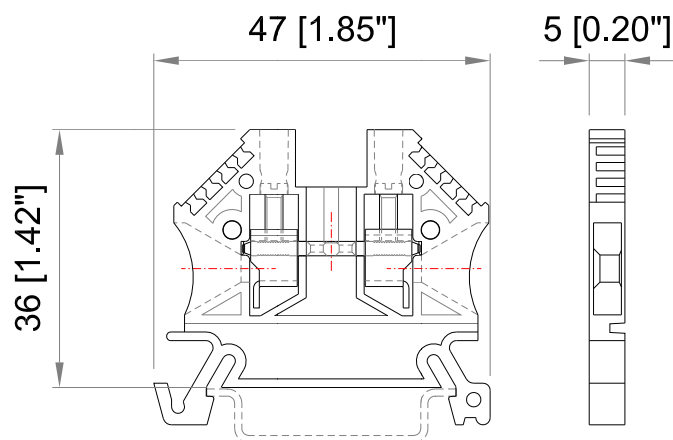
UL1059  
E203985

C22.2 NO 158-10

SCCR 100kA

AWG 24-12 – 600V – 20A

## TECHNICAL DRAWINGS



## ACCESSORIES

### Marking

Item	Description
<b>43059</b>	Single-digit marking tag (5 x 3 mm) - white
<b>43060/0 ÷</b> <b>43060/9</b>	Single-digit marking tag (5 x 3 mm) – with marking: 0 ÷ 9
<b>43060/A ÷</b> <b>43060/Z</b>	Single-digit marking tag (5 x 3 mm) – with marking: A ÷ Z
<b>43094</b>	Marking tag adapter – 6 slots for marking tags
<b>43192</b>	Marking tags (5 x 12 mm) - white ( <i>special marking on request</i> )



### Marking

Item	Description
<b>438MFC0512TB</b>	Tags 5x12 for MI Series and 438MWK0512TBA (45tags x 20cards)
<b>438MFC0512ST</b>	Strip -pitch 5 for:438MWK0512TBA and 438WLC0512TBA
<b>438MWK0512TBA</b>	Tag adapter for: MI-EURO/Weid-WDU-ZDU/Klemsan -1box=250

### DIN RAIL system - Mounting and Installation material

Item	Description
<b>43910</b>	Steel Omega rail 35/7,5mm - 2mt length
<b>43910/F</b>	Slotted steel Omega rail 35/7,5mm - 2mt length
<b>43911</b>	Steel Omega rail 35/15mm - 2mt length
<b>43911/F</b>	Slotted steel Omega rail 35/15mm - 2mt length
<b>43028</b>	Angled support bracket
<b>43442</b>	EURO STOP - End bracket width 9
<b>43444</b>	EURO STOP - End bracket width 6
<b>43447</b>	EURO STOP - Snap-on end bracket width 6
<b>43449</b>	EURO STOP - End bracket cover profile carrier
<b>43449-C</b>	EURO STOP - Cover profile - Length 100cm

### Additional items

Item	Description
<b>43010</b>	End plate
<b>43015</b>	Separator
<b>43035</b>	Cover for EURO 2.5
<b>43525/02</b>	EURO J2,5 - Jumper bar 2 poles - pitch 5,1mm
<b>43525/03</b>	EURO J2,5 - Jumper bar 3 poles - pitch 5,1mm
<b>43525/24</b>	EURO J2,5 - Jumper bar 24 poles - pitch 5,1mm
<b>43515</b>	Ratchet Cutting Tool for 43525/..Jumpers - orange - pitch 5,1mm
<b>43926 R</b>	Red test plug adapter
<b>43926 S</b>	Black test plug adapter