

EURO PRO 50

Article: **606050**

Universal terminal blocks for **Cu/Al** conductors
 Feed-through terminal block – grey
 Screw connection system - 1xAl/Cu 1,5/50mm²
 The conductive parts are made of tin-plated aluminium.



GENERAL INFORMATION

Series	EURO PRO
Item	606050
Weight/Piece	30 g
Customs tariff	85369010
Page/Catalog	- / -
Colour	Grey
Q.ty p.pck.	50
Q.ty p. box	-

TECHNICAL DATA / DIMENSIONS

Dimensions

Width mm(in.)	18 (0.71)
Length mm(in.)	50 (1.97)
Length (L1) mm(in.)	48 (1.89)
Height mm(in.)	43 (1.69)

Mounting type	Omega TH35
---------------	------------

Technical data

Protection degree (IP)	IP00
Insulating material	PA
Nominal Voltage	1000V
Nominal Current	160A

Connection data

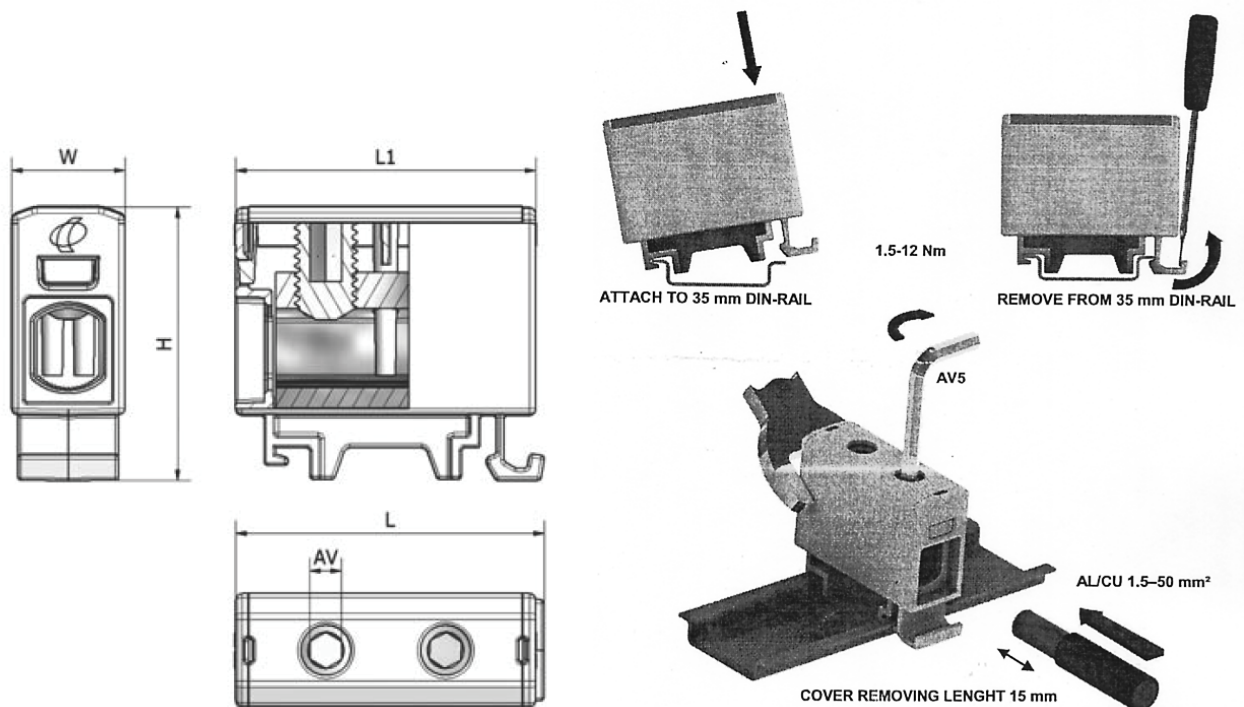
Conductor cross-section solid min/max	1xAl/Cu 1,5 / 50 mm ²
Conductor cross-section stranded min/max	1xAl/Cu 1,5 / 50 mm ²
Stripping length	max 15 mm / 0.59in
Screw	screw without head recessed Allen (AV) 5mm
Tightening torque	1,5Nm / 1,5-2,5mm ² – 5Nm / 4-10mm ² 12Nm / 16-50mm ²

APPROVALS

EN60947-7-1 50mm² – 1000V – 160A



TECHNICAL DRAWINGS



ACCESSORIES

Terminal rail systems

Item	Description
43910	Steel Omega rail 35/7,5mm - 2mt lenght
43910/F	Slotted steel Omega rail 35/7,5mm - 2mt lenght
43911	Steel Omega rail 35/15mm - 2mt lenght
43911/F	Slotted steel Omega rail 35/15mm - 2mt lenght
43028	Angled support bracket

Additional items

Item	Description
606050 BL	Universal terminal blocks for Cu/Al conductors Feed-through terminal block – Blue
606050 E	Universal terminal blocks for Cu/Al conductors Feed-through terminal block – Yellowgreen