

Incremental encoders

Standard, ATEX/IECEX – zone 1/21
optical

Sendix 7000 / 7020 (shaft / hollow shaft)

Push-pull / RS422



The Sendix 7000 / 7020 incremental encoders offer Ex protection in a compact 70 mm seawater durable aluminum housing.

These shock and vibration resistant encoders operate flexibly with a resolution of up to 5000 pulses per rotation; they are also available with axial and radial cable outlets.



Compact and safe

- Can be used even when space is tight.
- Minimal installation depth, diameter 70 mm.
- Compact cable outlet axial or radial.
- Can be operated in marine environments – housing and flange manufactured from seawater durable aluminum.
- Remains sealed even in harsh everyday use and ensures highest safety against field breakdowns (IP67 protection).

Explosion protection

- “Flameproof-enclosure” version.
- ATEX with EC type examination certificate.
- IECEx with certificate of conformity (CoC).

Order code Shaft version

8.7000 . 1 X X X . XXXX . XXXX
Type a b c d e f

a Flange

1 = clamping / synchronous flange, IP67, \varnothing 70 mm [2.76"]

b Shaft ($\varnothing \times L$)

2 = 10 x 20 mm [0.39 x 0.79"], with flat
1 = 12 x 25 mm [0.47 x 0.98"],
with keyway for 4 x 4 mm [0.16 x 0.16"] key

c Output circuit / power supply

4 = RS422 (with inverted signal) / 5 V DC
1 = RS422 (with inverted signal) / 5 ... 30 V DC
2 = push-pull (7272 compatible with inverted signal) / 5 ... 30 V DC
5 = push-pull (with inverted signal) / 10 ... 30 V DC

d Type of connection

1 = axial cable, 2 m [6.56'] PUR
2 = radial cable, 2 m [6.56'] PUR
A = axial cable, length > 2 m [6.56']
B = radial cable, length > 2 m [6.56']

e Pulse rate

1, 5, 10, 12, 36, 100, 200, 250, 256,
360, 400, 500, 512, 600, 800, 1000,
1024, 1200, 2000, 2048, 2500, 3600,
4096, 5000
(e.g. 100 pulses => 0100)

f Cable length in dm ¹⁾

0050 = 5 m [16.40']
0100 = 10 m [32.81']
0150 = 15 m [49.21']

Optional on request

- other pulse rates
- special cable length
- IP65 version for T6
- seawater resistant (stainless steel V4A)

Stainless steel V4A as standard types
(deliverable as from 1 unit)

V4A 8.7000.12X1.XXXX-V4A
1.4404 8.7000.12XA.XXXX.XXXX-V4A

1) Not applicable with connection types 1 and 2.

Incremental encoders

Standard, ATEX/IECEX – zone 1/21 optical	Sendix 7000 / 7020 (shaft / hollow shaft)	Push-pull / RS422
-------------------------------------------------	--------------------------------------------------	--------------------------

Order code	Hollow shaft	8.7020	.XXXXX.	XXXX.	XXXX		
	Type	a	b	c	d	e	f

a Flange
1 = with spring element, short
5 = with stator coupling, IP67, ø 65 mm [2.56"]

b Blind hollow shaft
(insertion depth max. 41.5 mm [1.63"])
1 = ø 12 mm [0.47"]
2 = ø 14 mm [0.55"]

c Output circuit / power supply
4 = RS422 (with inverted signal) / 5 V DC
1 = RS422 (with inverted signal) / 5 ... 30 V DC
2 = push-pull (7272 compatible with inverted signal) / 5 ... 30 V DC
5 = push-pull (with inverted signal) / 10 ... 30 V DC

d Type of connection
1 = axial cable, 2 m [6.56'] PUR
2 = radial cable, 2 m [6.56'] PUR
A = axial cable, length > 2 m [6.56']
B = radial cable, length > 2 m [6.56']

e Pulse rate
1, 5, 10, 12, 36, 100, 200, 250, 256, 360, 400, 500, 512, 600, 800, 1000, 1024, 1200, 2000, 2048, 2500, 3600, 4096, 5000
(e.g. 100 pulses => 0100)

f Cable length in dm ¹⁾
0050 = 5 m [16.40']
0100 = 10 m [32.81']
0150 = 15 m [49.21']

Optional on request
- other pulse rates
- special cable length
- IP65 version for T6
- seawater resistant (stainless steel V4A)

Stainless steel V4A as standard types (deliverable as from 1 unit)
8.7020.12X1.XXXX-V4A
8.7020.12XA.XXXX.XXXX-V4A

V4A
1.4404

Incremental encoders

Mounting accessory for shaft encoders	Order no.
Coupling	8.0000.1102.1010

Further accessories can be found in the accessories section or in the accessories area of our website at: www.kuebler.com/accessories.
Additional connectors can be found in the connection technology section or in the connection technology area of our website at: www.kuebler.com/connection_technology.

Technical data

Explosion protection Sendix 7000	
ATEX	
EC type-examination certificate	PTB09 ATEX 1106 X
Category (gas)	II 2 G Ex d IIC T4 - T6 Gb
Category (dust)	II 2D Ex tb IIIC T135°C - T85°C Db
Relevant standards	EN 60079-0:2012; EN 60079-1:2014; EN 60079-31:2009
IECEX	
Certificate of Conformity (CoC)	IECEX PTB 13.0026 X
Category (gas)	Ex d IIC T4 - T6 Gb
Category (dust)	Ex tb IIIC T135°C - T85°C Db
Relevant standards	IEC 60079-0:2011; IEC 60079-1:2014; IEC 60079-31:2008

Explosion protection Sendix 7020	
ATEX	
EC type-examination certificate	IBExU 15 ATEX 1091 X
Category (gas)	II 2 G Ex d IIC T4 - T6 Gb
Category (dust)	II 2D Ex tb IIIC T135°C - T85°C Db
Relevant standards	EN 60079-0:2012; EN 60079-1:2014; EN 60079-31:2014
IECEX	
Certificate of Conformity (CoC)	IECEX IBE 15.0020 X
Category (gas)	Ex d IIC T4 - T6 Gb
Category (dust)	Ex tb IIIC T135°C - T85°C Db
Relevant standards	IEC 60079-0:2011; IEC 60079-1:2014; IEC 60079-31:2013

1) Not applicable with connection types 1 and 2.

Incremental encoders

Standard, ATEX/IECEX – zone 1/21 optical	Sendix 7000 / 7020 (shaft / hollow shaft)	Push-pull / RS422
-----------------------------------------------------	--------------------------------------------------	--------------------------

Mechanical characteristics	
Maximum speed	6000 min ⁻¹ (continuous)
Starting torque – at 20°C [68°F]	< 0.05 Nm
Mass moment of inertia	4.0 x 10 ⁻⁶ kgm ²
Load capacity of shaft	radial 80 N axial 40 N
Weight	approx. 1.5 kg [52.91 oz]
Protection acc. to EN 60529	IP67
Ambient temperature	-40°C ... +60°C [-40 ... +140°F] Please note the specifications for temperature class in EC type-examination certificate!
Materials	shaft stainless steel flange / housing seawater durable Al, type AlSiMgMn (EN AW-6082) cable PUR
Shock resistance acc. to EN 60068-2-27	2500 m/s ² , 6 ms
Vibration resistance acc. to EN 60068-2-6	100 m/s ² , 55 ... 2000 Hz

EMC	
Relevant standards	EN 55011 class B:2009 / A1:2010 EN 61000-6-2:2005 / AC:2005 EN 61000-6-3:2007 / A1:2011 EN 61326-1:2013

Electrical characteristics				
Output circuit	RS422 (TTL compatible)	RS422 (TTL compatible)	Push-pull	Push-pull (7272 compatible)
Order code	1	4	5	2
Power supply	5 ... 30 V DC	5 V DC (±5 %)	10 ... 30 V DC	5 ... 30 V DC
Power consumption (no load)	typ. 40 mA max. 90 mA	typ. 40 mA max. 90 mA	typ. 50 mA max. 100 mA	typ. 50 mA max. 100 mA
Permissible load / channel	max. +/- 20 mA	max. +/- 20 mA	max. +/- 20 mA	max. +/- 20 mA
Pulse frequency	max. 300 kHz	max. 300 kHz	max. 300 kHz	max. 300 kHz ¹⁾
Signal level	HIGH min. 2.5 V LOW max. 0.5 V	min. 2.5 V max. 0.5 V	min +V - 1.0 V max. 0.5 V	min. +V - 2.0 V max. 0.5 V
Rising edge time t_r	max. 200 ns	max. 200 ns	max. 1 µs	max. 1 µs
Falling edge time t_f	max. 200 ns	max. 200 ns	max. 1 µs	max. 1 µs
Short circuit proof outputs²⁾	yes ³⁾	yes ³⁾	yes	yes
Reverse polarity protection of the power supply	yes	no	yes	no
CE compliant acc. to	EMC guideline 2014/30/EU ATEX guideline 2014/34/EU RoHS guideline 2011/65/EU			

Terminal assignment

Output circuit	Type of connection	Cable (isolate unused wires individually before initial start-up)												
1, 2, 4, 5	1, 2, A, B	Signal:	0 V	+V	A	\bar{A}	B	\bar{B}	0	$\bar{0}$	0 V _{sens}	+V _{sens}	⊥	
		Cable marking:	1	2	3	4	5	6	7	8	9	10	shield	

- +V: Encoder power supply +V DC
- 0 V: Encoder power supply ground GND (0 V)
- 0 V_{sens} / +V_{sens}: Using the sensor outputs of the encoder, the voltage present can be measured and if necessary increased accordingly.
- A, \bar{A} : Incremental output channel A / cosine signal
- B, \bar{B} : Incremental output channel B / sine signal
- 0, $\bar{0}$: Reference signal
- ⊥: Plug connector housing (shield)

1) Max. recommended cable length 30 m [98.43'].

2) Short-circuit with 0 V or output, only one channel at a time, power supply correctly applied.

3) Only one channel allowed to be shorted-out:
at +V= 5 V DC, short-circuit to channel, 0 V, or +V is permitted.
at +V= 5 ... 30 V DC, short-circuit to channel or 0 V is permitted.

Incremental encoders

Standard, ATEX/IECEX – zone 1/21 optical	Sendix 7000 / 7020 (shaft / hollow shaft)	Push-pull / RS422
-----------------------------------------------------	--------------------------------------------------	--------------------------

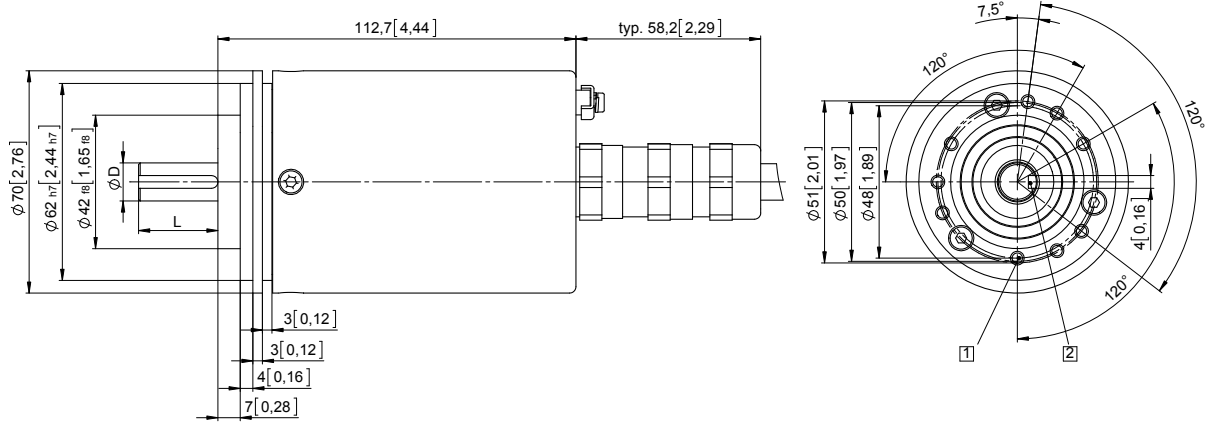
Dimensions shaft version

Dimensions in mm [inch]

Clamping / synchronous flange, \varnothing 70 [2.76]

Shaft type 1 with axial cable outlet

- 1 9 x M4, 10 [0.39] deep
- 2 Keyway for DIN 6885-A-4x4x25 key

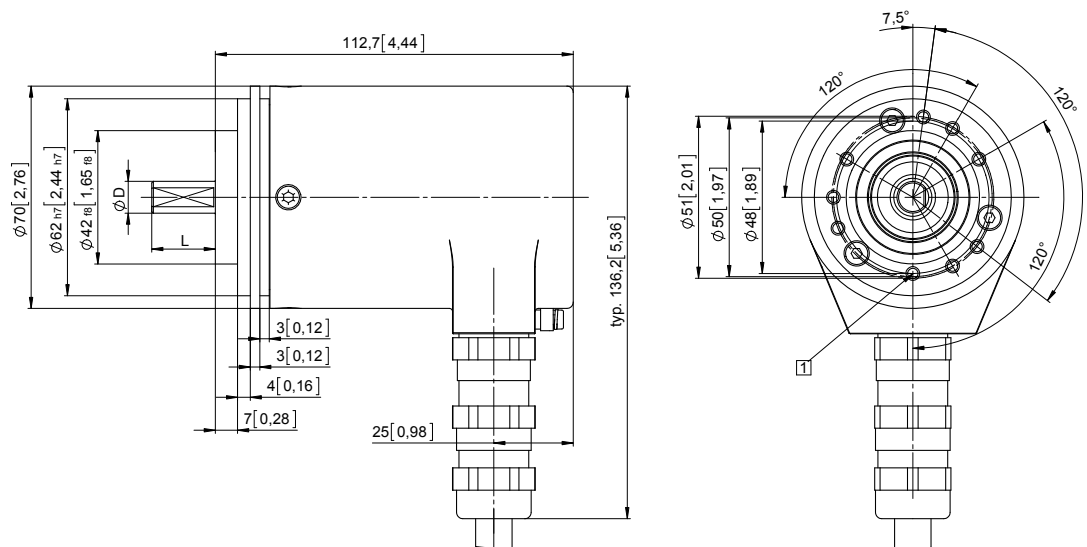


D	Fit	L
12 [0.47]	g6	25 [0.98]

Clamping / synchronous flange, \varnothing 70 [2.76]

Shaft type 2 with radial cable outlet

- 1 9 x M4, 10 [0.39] deep



D	Fit	L
10 [0.39]	f7	20 [0.79]

Incremental encoders

Incremental encoders

**Standard, ATEX/IECEx – zone 1/21
optical**

Sendix 7000 / 7020 (shaft / hollow shaft)

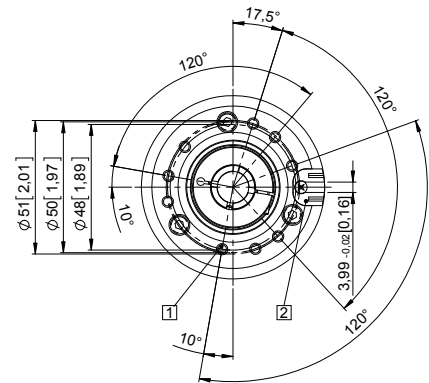
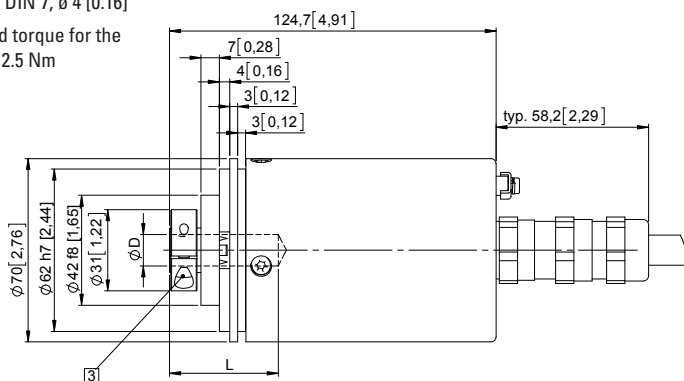
Push-pull / RS422

Dimensions hollow shaft version

Dimensions in mm [inch]

Flange with spring element, short Flange type 1

- 1 9 x M4, 10 [0.39] deep
- 2 Slot spring element, recommendation: cylindrical pin DIN 7, \varnothing 4 [0.16]
- 3 Recommended torque for the clamping ring 2.5 Nm



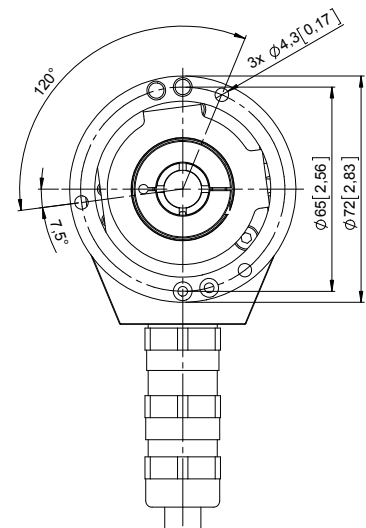
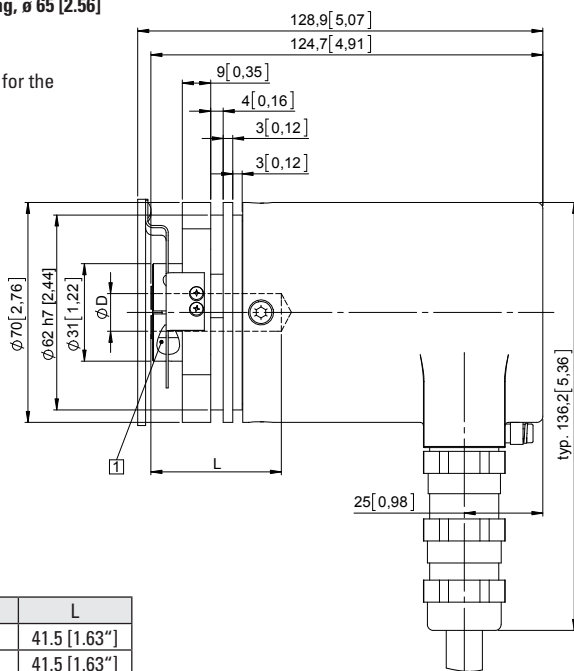
D	Fit	L
12 [0.47]	H7	41.5 [1.63"]
14 [0.55]	H7	41.5 [1.63"]

L = insertion depth max. blind hollow shaft

Flange with stator coupling, \varnothing 65 [2.56]

Flange type 5

- 1 Recommended torque for the clamping ring 2.5 Nm



D	Fit	L
12 [0.47]	H7	41.5 [1.63"]
14 [0.55]	H7	41.5 [1.63"]

L = insertion depth max. blind hollow shaft