

Linear measuring technology

**Lift measuring system
for shaft-copying**

Encoder mounting fixture, guided-belt, LM3

max. height 53 m



System for shaft-copying, with complete mechanical kit in proven toothed belt technology.

A smooth-running toothed belt and a vibration-resistant encoder mounting fixture ensure quiet operation. The belt pulley benefits from separate bearing supports in the mounting fixture, so protecting the installed encoder from mechanical overloading. With the guided-belt system, the encoder mounting fixture and the measuring wheels are located on the lift car.



Ideal for use in passenger lifts, freight lifts, automatic storage systems.

Complete system

- Fast and easy installation with accessories from one single source.
- Reduced load on encoder bearings due to separate belt pulley-bearings.
- Non-slip.
- Tensioning rollers with belt guide.

Minimal noise generation

- Smooth-running toothed-belt ensures extremely quiet operation.
- Vibration-free operation.

Order code

8.LM3.01

Encoder mounting fixture with measuring wheels for fixing on the lift car

Consists of:

- Encoder mounting fixture
- Mounted measuring wheel
- Belt guide
- Belt fixing and tensioning set
- Screws and other small components

Suitable encoders:

- Incremental encoder: 8.5000.83XX.XXXX

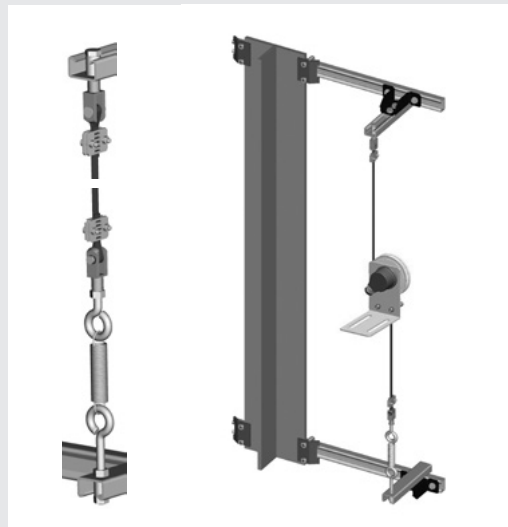
calculation of pulse rate ppr =

$$\frac{300 \text{ mm}}{\text{resolution, e.g. } 0.5 \text{ mm}} = 600$$

- Absolute encoders:

SSI: 8.5863.12XX.XXXX

CANopen / CANopenLift: 8.5868.12XX.XXXX

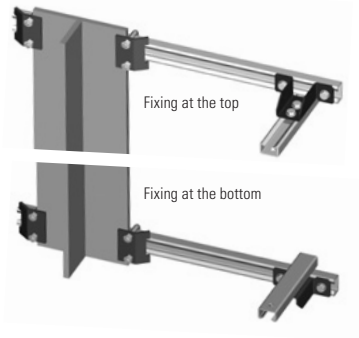


Linear measuring technology

Elevator measuring system for shaft-copying	Encoder mounting fixture, guided-belt, LM3	max. height 53 m
--	---	-------------------------

Accessories for encoder mounting fixture LM3	Order no.
---	------------------

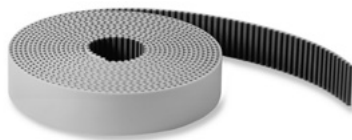
Fixing kit



- Complete kit consists of:
- C-rails, 700 mm
 - Bracket
 - Screws
 - Other small components

8.BLM2.01

Toothed belt



- Width 10 mm
- Polyurethane, with single parallel steel cords
- Low belt-stretch
- High resistance to abrasive wear
- Resistant to the effects of UV radiation
- Maintenance-free
- Resistant to ageing
- Temperature range -10°C ... +80°C [+14°F ... +176°F]

05.ZAR1.XXX

Calculation of the required length of toothed belt =
Elevator height + approx. 5 m
(depending on the distance between top and bottom fixing)

XXX = Length in meters
Standard delivery lengths:
20 m, 25 m, 30 m, 35 m, 40 m,
45 m, 50 m, 55 m, 60 m, 70 m,
80 m, 90 m, 100 m, 120 m,
250 m, 300 m
Other lengths on request

Technical data	
Resolution in the shaft	depends on the resolution of the encoder (e.g. incremental encoder with 3000 ppr = 0.1 mm; absolute encoder 12 x 12 bit < 0.1 mm)
Elevator car speed	max. 1.6 m/s
Max. height of lift	53 m
Effective circumference of belt pulley	300 mm

Dimensions

Dimensions in mm [inch]

