

PPFN1P4C



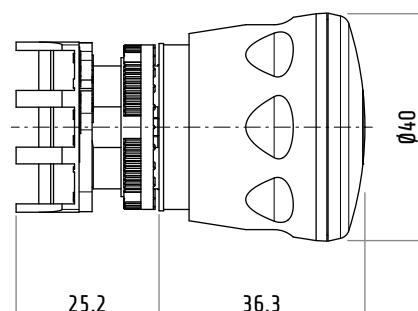
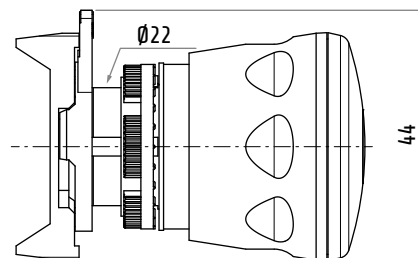
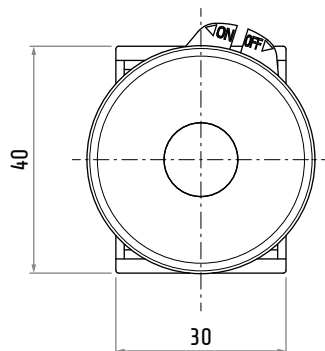
PPFL1P4N

# PPFN1P4C PPFL1P4N

## PEGASUS SERIES PUSH-PULL RELEASE EMERGENCY MUSHROOM PUSH BUTTON WITH Ø40 CAP

Series	Pegasus
Type	emergency mushroom push button
Operation	push-pull to release
Cap	Ø40
Fixing	Ø22
Panel thickness	1 ... 6 mm
Drilling template compliance	IEC/EN60947-5-1 CENELEC EN50007
Mechanical life	0.3×10 <sup>6</sup> operations
IP rating	IP66 / IP67 / IP69K
Compliance	EN ISO 13850
Material	thermoplastic
Marking	CE, IMQ, RINA, UKCA

Code	Version
PPFN1P4C	solid
PPFL1P4N	lens



Dimensions in mm / Illustrations NOT in scale