

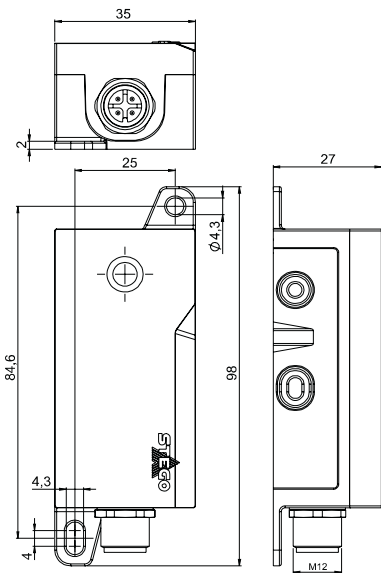
DISTANCE SENSOR

DSS 015 | IO-LINK, DC 24 V



- > Digital IO-Link interface
- > Compact dimensions
- > Versatile screw fixing
- > High accuracy
- > Quick connection (M12 plug-in connector)
- > Large distance measuring range

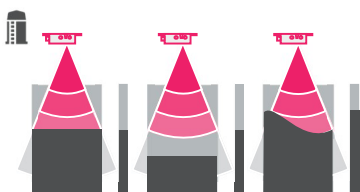
The compact distance smart sensor determines the distance to objects using ultrasonic waves and the principle of time-of-flight measurement (ToF). It is suitable for numerous applications in the areas of distance and level monitoring. In contrast to other distance measuring methods (e.g., measuring with laser), the DSS 015 detects even transparent objects such as glass, foil and liquids and is insensitive to changing light conditions. The IO-Link interface makes it very easy to connect to higher-level control systems (e.g., PLC).



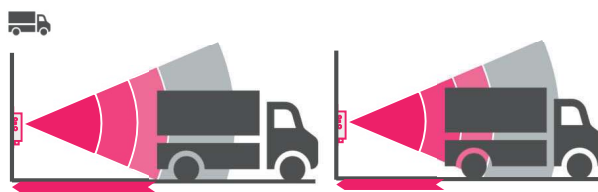
TECHNICAL DATA

Detection range	0,3 m to 4 m
Sensor field of vision	45° cone-shaped
Interface	IO-Link (version 1.1)
Connection	Plug-in connector M12, IEC 61076-2-101, 4-pin, A-coded, shielded, max. cable length: 20 m
Electrical protection	Reverse-polarity, short circuit, overvoltage protection
Mounting	Mounting M4 or M3
Casing	Plastic according to UL94 V-0
Dimensions	98 x 35 x 27 mm
Weight	~ 40 g
Fitting position	variable, aligned perpendicular to the measured object
Operating temperature	-25 to +70 °C (-13 to +158 °F)
Storage temperature	-40 to 85 °C (-40 to 185 °F)
Operating/Storage humidity	< 90 % rF (non-condensing)
Protection type/Protection class	IP40 / III (SELV)
Approvals	VDE and UL up-coming DIN EN 61010-1 DIN EN 61000-4-2 ESD DIN EN 61000-4-3 HF-radiation DIN EN 61000-4-4 Transient DIN EN 61000-4-6 HF-current input

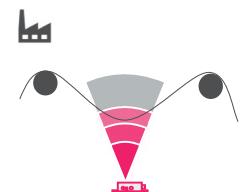
EXAMPLES OF APPLICATION



Level monitoring



Distance control



Process monitoring

Art. No.	Interface	Measuring resolution	Measuring tolerance	Measuring frequency	Power consumption max.	Operating voltage
01500.2-00	IO-Link (version 1.1)	1 mm	±2 %	10 Hz	0,6 W	DC 24 V (DC 18 - 30V)